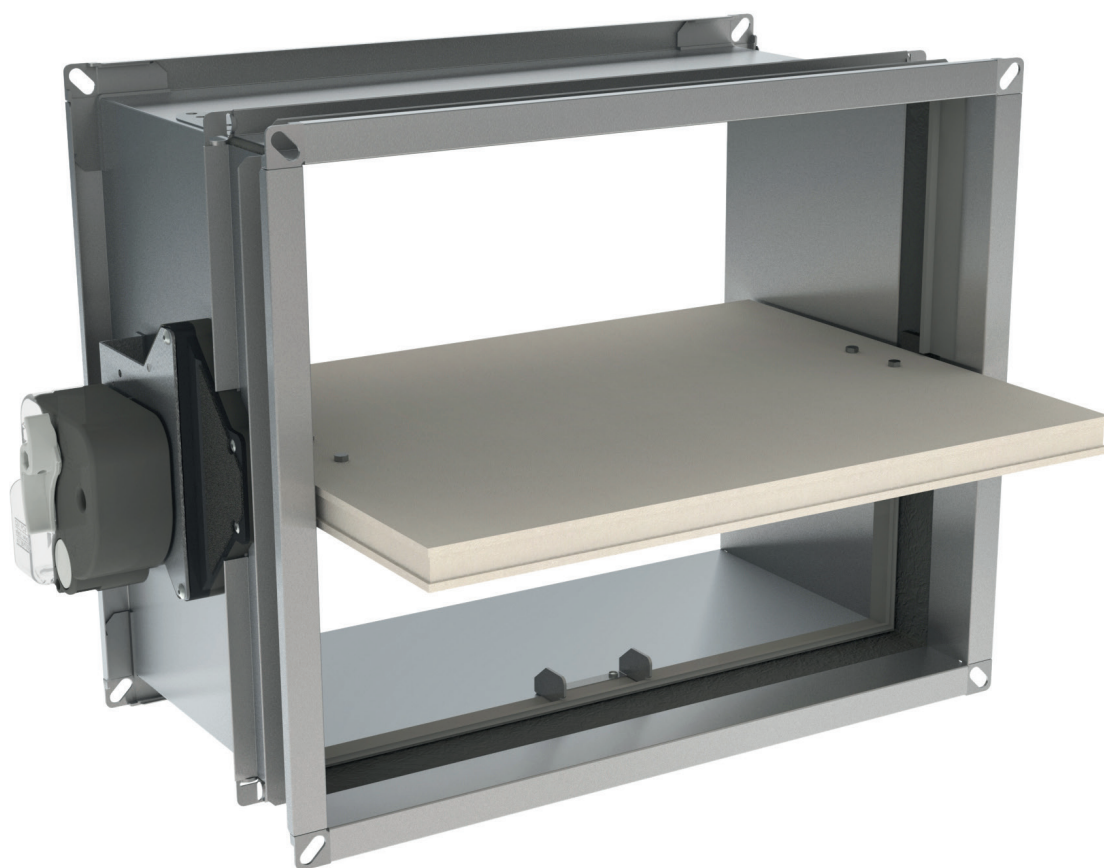


CU-LT

Optimised rectangular fire damper up to 120'



CE
0749



UK
CA













Table of content

Declaration of performance	4
Product presentation CU-LT	5
Range and dimensions CU-LT	5
Variant CU-LT-L500	6
Range and dimensions CU-LT-L500	6
Evolution - kits	7
Options - at the time of order	9
Flange types - at the time of order	9
Storage and handling	11
Installation	11
Position of the thermo-electric fuse (spring-return actuator BFLT)	12
Installation at a minimal distance from another damper or from an adjacent supporting construction	13
Installation in rigid wall and floor	15
Installation in flexible wall (metal stud gypsum plasterboard wall)	17
Installation in flexible wall (metal stud gypsum plasterboard wall), sealing with gypsum	18
Installation in flexible wall (metal stud gypsum plasterboard wall), sealing with mortar	20
Installation in shaft wall, sealing with gypsum	22
Installation in shaft wall, sealing with rigid rock wool boards with coating	23
Installation in shaft wall with IFW installation kit	25
Installation in flexible and rigid wall, sealing with rigid rock wool boards with coating	27
Installation in rigid floor, sealing with rigid rock wool boards with coating	30
Installation remote from the wall, sealing and insulation with rigid rock wool boards with coating	32
Installation remote from the wall + GEOFLAM	36
Operation and mechanisms	40
Electrical connection	44
Weights	46
Selection graphs	48
Example	49
Selection data	49
Sample order	52
Approvals and certificates	53

Explanation of the abbreviations and pictograms

Wn = nominal width	E.TELE = power supply magnet	Sn = free air passage
Hn = nominal height	E.ALIM = power supply motor	ζ [-] = pressure loss coefficient
Dn = nominal diameter	V = volt	Q = airflow
E = integrity	W = watt	ΔP = static pressure drop
I = thermal insulation	Auto = automatic	v = air speed in the duct
S = smoke leakage	Tele = remote controlled	Lwa = A-weighted sound power level
Pa = pascal	Pnom = nominal capacity	Lw oct = sound power level per octave midband
ve = vertical wall penetration	Pmax = maximum capacity	dB(A) = A-weighted decibel value
ho = horizontal floor penetration	GKB (type A) / GKF (type F): "GKB"	ΔL = correction factor
o -> i = meets the criteria from the outside (o) to the inside (i)	stands for standard plasterboards (type A according to EN 520) while "GKF"	
i <-> o = fire side not important	plasterboards offer a higher fire resistance for a similar plate thickness (type F according to EN 520)	
V AC = Volt alternating current	Cal-Sil = calcium silicate	
V DC = Volt direct current	OP = option (delivered with the product)	
	KIT = kit (delivered separately for repair or upgrade)	
	PG = connection flange to the duct	

	air-tightness class C according to EN1751		higher net building volume through compact size
	optimal acoustic performance		optimal free air passage and minimal pressure loss
	Hygiene certificate (www.HYG.de)		suitable for built-in installation
	suitable for installation remote from the wall		intermediate dimensions on request
	minimal distance allowed		sealing with fire resistant stone wool boards allowed, also for asymmetric opening

Product presentation CU-LT

Optimised rectangular fire damper with a fire resistance up to 120 minutes. A minimal pressure loss is guaranteed thanks to the thin blade and the transmission located outside the tunnel. The damper is available in small dimensions (starting from 100 mm height). A galvanised steel tunnel contributes to the light weight of the damper.

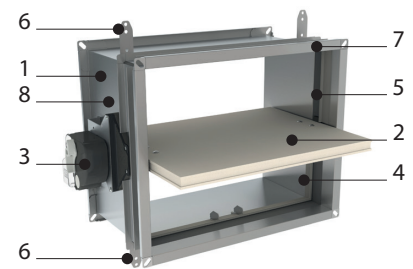
Fire dampers are installed where air ducts penetrate fire-resistant compartment walls. Their role is to restore the fire resistance grade of the penetrated wall and to prevent smoke propagation. Fire dampers are distinguished by their degree of fire resistance, by their aerulic properties as well as by their installation ease. Rf-Technologies' fire dampers are all CE marked. They can be equipped with various types of mechanisms depending on the specific needs linked to the project or to the local regulations.

- ✓ easy to install
- ✓ optimal free air passage and minimal pressure loss
- ✓ optimal acoustic performance
- ✓ higher net building volume through compact size
- ✓ air-tightness class C according to EN1751



- Hygiene certificate (www.HYG.de)
- suitable for built-in installation
- suitable for installation remote from the wall
- minimal distance allowed
- suitable for installation in rigid wall, rigid floor, flexible wall and flexible shaft wall (metal stud gypsum plasterboard wall)
- sealing with fire resistant stone wool boards allowed, also for asymmetric opening
- tested according to EN 1366-2 up to 500 Pa
- operating mechanism outside the wall
- maintenance-free
- for indoor use
- intermediate dimensions on request
- operating temperature: max. 50°C

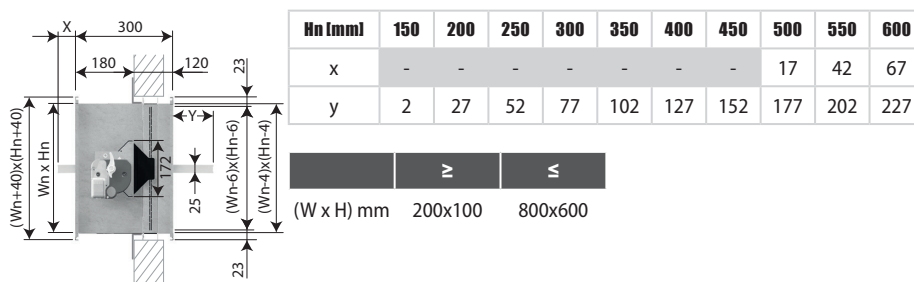
1. casing in galvanised steel
2. damper blade
3. operating mechanism
4. sealing cold smoke
5. intumescent strip
6. positioning plate
7. connection flange PG20
8. product identification



Range and dimensions CU-LT

Transmission and mechanism exceed if $H_n \leq 150$ mm

Exceeding blade: X = on the mechanism side, Y = on the wall side

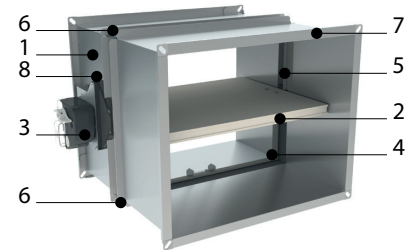


Variant CU-LT-L500

Variant CU-LT-L500

CU-LT damper with a tunnel casing extension at the wall side to facilitate the connection to the duct when the supporting construction is thicker than 100 mm. This version also ensures that the damper blade doesn't exceed the casing at the wall side (up to a height of 550 mm), which allows to connect a grill or a bend directly on the damper flange or to use a circular connection.

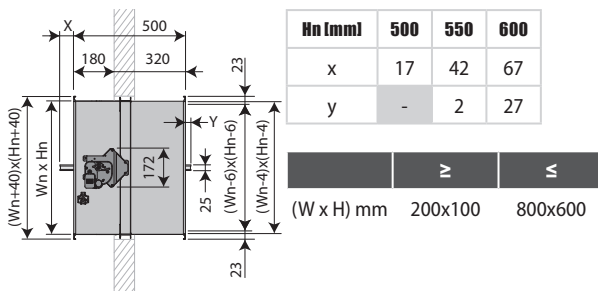
1. casing in galvanised steel
2. damper blade
3. operating mechanism
4. sealing cold smoke
5. intumescent strip
6. positioning plate
7. connection flange PG20
8. product identification



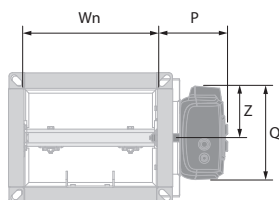
Range and dimensions CU-LT-L500

Transmission and mechanism exceed if $H_n \leq 150$ mm

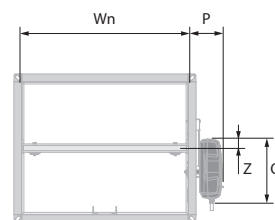
Exceeding blade: X = on the mechanism side, Y = on the wall side



$H_n < 400$ mm


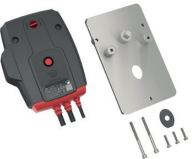









$H_n \geq 400$ mm



	MFUSP	ONE (X)	BFL(T)		MFUSP	ONE (X)	BFL(T)
P	101	97	81	P	101	97	81
Q	122	136	80	Q	123	191	80
Z	61	75	40	Z	28	27	40

Evolution - kits

	KIT MFUSP	Automatic unlocking mechanism with fusible link
	KIT ONE T 24 FDCB	Spring return actuator ONE 24V (with fusible link T) + bipolar beginning- and end-of-range switch
	KIT ONE T 24 FDCU	Spring return actuator ONE 24V (with fusible link T) + unipolar beginning- and end-of-range switch
	KIT ONE T 24 FDCU ST	Spring return actuator ONE 24V (with fusible link T) + unipolar beginning- and end-of-range switch + plug (ST)
	KIT ONE T 230 FDCB	Spring return actuator ONE 230V (with fusible link T) + bipolar beginning- and end-of-range switch
	KIT ONE T 230 FDCU	Spring return actuator ONE 230V (with fusible link T) + unipolar beginning- and end-of-range switch
	KIT ONE T 230 FDCU ST	Spring return actuator ONE 230V (with fusible link T) + unipolar beginning- and end-of-range switch + plug (ST)
	KIT ONE-X 24	Spring return actuator ONE-X 24V (with fusible link T)
	KIT ONE-X 230	Spring return actuator ONE-X 230V (with fusible link T)

	KIT BFL24	Spring return actuator BFL 24V
	KIT BFL24-ST	Spring return actuator BFL 24V with plug (ST)
	KIT BFL230	Spring return actuator BFL 230V
	KIT BFLT24	Spring return actuator BFL 24V with thermo-electric fuse (T)
	KIT BFLT24-ST	Spring return actuator BFL 24V with thermo-electric fuse (T) and plug (ST)
	KIT BFLT230	Spring return actuator BFL 230V with thermo-electric fuse (T)
	KIT BFLT230-ST	Spring return actuator BFL 230V with thermo-electric fuse (T)
	KIT BFN24	Spring return actuator BFN 24V (BFN kits must be used instead of BFL kits for fire dampers produced before 1/7/2015)
	KIT FDCU MFUS(P)	Limit switch 'open/closed'

**KIT SN2 BFL/BFN**

Auxiliary limit switch 'open/closed'

**KIT ZBAT 72**

Black spare part for thermo-electric fuse for BFLT/BFNT

**KIT FUS 72 MFUS(P)**

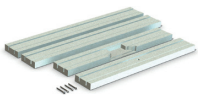
Fusible link 72°C

**FUS72 ONE**

Fusible link 72°C

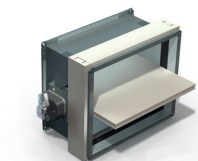
**MECT**

Testbox for mechanisms 24/48 V (magnet, motor, beginning and end of range switches)

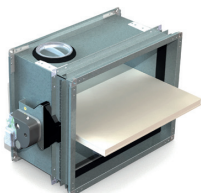
**IFW CU-LT**

Separate installation kit for flexible wall for CU-LT (800 x 600 mm, must be cut to size)

Options - at the time of order

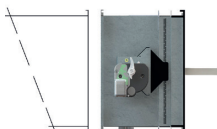
**IFW CU-LT**

Pre-mounted installation kit for flexible wall

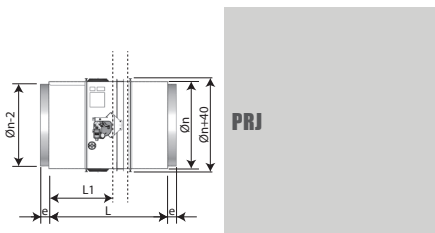
**UL**

Inspection shutter (set of 2)

Flange types - at the time of order

**PG20**

Connection to ducts with 20 mm flanges (either with sliding profile or with bolts). Elliptical holes Ø 9,5 x 16 mm.



Circular connection with rubber sealing ring on a rectangular damper with PG20 flange.

Storage and handling

As this product is a safety element, it should be stored and handled with care.

Avoid:

- any kind of impact or damage
- contact with water
- deformation of the casing

It is recommended:

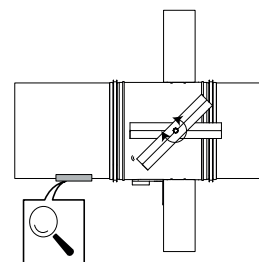
- to unload in a dry area
- not to flip or roll the product to move it
- not to use the damper as a scaffold, working table, etc.
- not to store smaller dampers inside larger ones

Installation

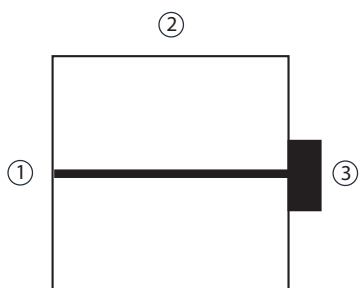
General points

- The installation must comply with the installation manual and the classification report.
- Axis orientation: see the declaration of performance.
- Avoid obstruction of adjoining ducts.
- Product installation: always with closed damper blade.
- Verify if the blade can move freely.
- Please observe safety distances with respect to other construction elements. The operating mechanism must also remain accessible: allow for a clearance of 200 mm around the housing.
- The air tightness class will be maintained if the damper is installed according to the installation manual.
- Rf-t fire dampers are always tested in standardised constructions according to EN 1366-2. The achieved results are valid for similar supporting constructions with a fire resistance, thickness and density equal or superior to the supporting construction used during the test.
- If the wall thickness exceeds the minimum thickness specified in our installation instructions, the following conditions apply to the sealing depth:
 - For flexible walls and sandwich panel system walls, the seal must always be applied over the full depth of the wall.
 - With rigid walls, rigid floors and plaster block walls, the minimum sealing depth as indicated in our installation instructions (often equal to the minimum wall thickness) is sufficient. Apply the seal at the height of the damper blade (from the wall limit indication).
- When installing a fire damper in a flexible metal stud wall, some installation methods do not require reinforcing profiles around the wall opening from a fire protection point of view (see below). Always follow the general instructions of the manufacturer of these wall systems when building this type of wall.
- The damper must remain accessible for inspection and maintenance.
- Schedule at least 2 visual checks each year.

	TEST	
2021	<input checked="" type="checkbox"/>	<input checked="" type="checkbox"/>
2022	<input checked="" type="checkbox"/>	<input type="checkbox"/>
2023	<input type="checkbox"/>	<input type="checkbox"/>
2024	<input type="checkbox"/>	<input type="checkbox"/>
2025	<input type="checkbox"/>	<input type="checkbox"/>



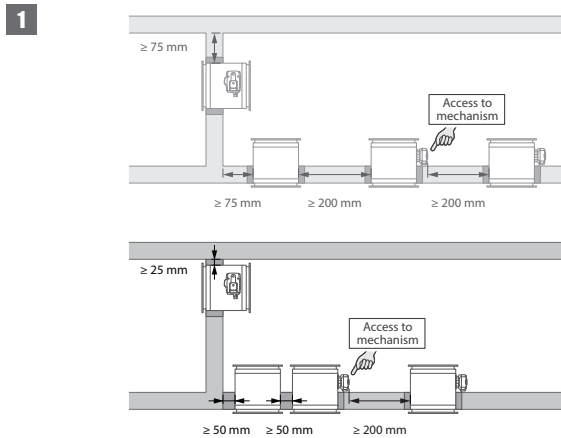
Position of the thermo-electric fuse (spring-return actuator BFLT)

1

1. Position of the thermo-electric fuse on the damper casing:

1. on opposite side of mechanism if $H < 250$ mm and $W < 250$ mm; 2. on top if $H < 250$ mm and $W \geq 250$ mm; 3. on mechanism side if $H \geq 250$ mm.

Installation at a minimal distance from another damper or from an adjacent supporting construction

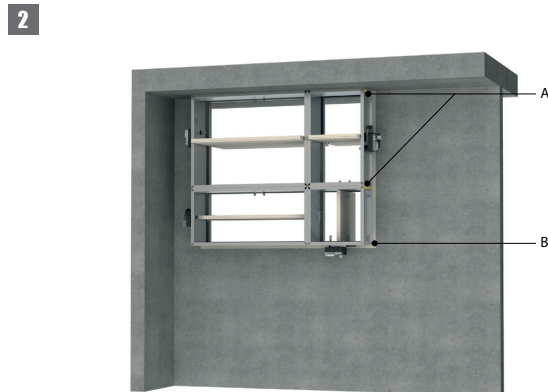


1. Principle

According to the European test standard, a fire damper must be installed at a minimum distance of 75 mm from an adjacent wall and 200 mm from another damper, unless the solution was tested at a shorter distance.

This range of Rf-t fire dampers has been successfully tested and can be installed in a vertical or horizontal supporting construction, at a distance below the minimum set by the standard.

For rectangular dampers, the minimal distance is set to 50 mm between 2 dampers or between a damper and a vertical wall, and to 25 mm between a damper and a floor/ceiling.



2. Certified solution

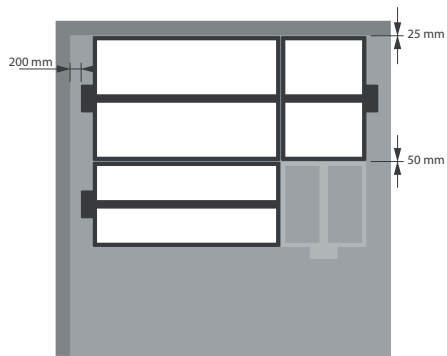
For the Rf-t fire dampers, the solution consists of the following elements: A: Universal sealing for minimal distance; B: Sealing compliant with existing classifications (Declaration of Performance).

A. Sealing of the opening at the side with minimal distances between damper and wall/ceiling or another fire damper: rigid stone wool panels (150 kg/m^3) are applied to a depth of min. 400 mm, of which 150 mm on the mechanism side of the wall. On the non-mechanism side of the wall, the stone wool panels must be at least flush with the wall. This sealing is applied over the whole width/height of the damper(s).

When the damper is installed at a distance of 25 mm from a floor/ceiling, the rigid high-density stone wool panels (A) may be replaced with standard 40 kg/m^3 stone wool, compressed by at least 40%.

B. Sealing of the rest of the opening according to the existing classifications for the fire damper (Declaration of Performance). Detailed information for each wall/sealing combination can be found in the respective installation methods.

The installer may choose the direction of the blade axis freely: horizontal or vertical axis.

3

3. Restrictions

A maximum of 2 rectangular dampers can be installed at a minimum distance from one another, both vertically and horizontally (maximum cluster of 4 dampers).

Note: when sealing the opening with panels of fire resistant stone wool, the maximum number of dampers also depends on the maximum "blank seal" allowed for the selected sealing material. Please refer to the manufacturer's instructions for this information.

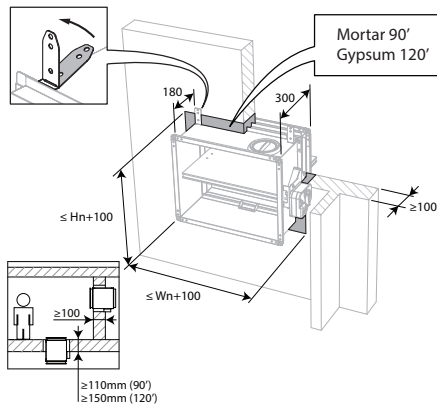
Note: Separate conditions apply for installation in flexible shaft wall. Detailed information can be found in the relevant installation methods.

Installation in rigid wall and floor

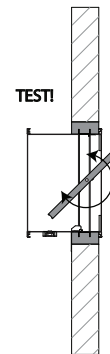
The product was tested and approved in:

Range	Wall type		Sealing	Classification
$200 \times 100 \text{ mm} \leq \text{CU-LT} \leq 800 \times 600 \text{ mm}$	Rigid wall	Aerated concrete $\geq 100 \text{ mm}$	Mortar	EI 90 (v_e i \leftrightarrow o) S - (500 Pa)
$200 \times 100 \text{ mm} \leq \text{CU-LT} \leq 800 \times 600 \text{ mm}$	Rigid wall	Aerated concrete $\geq 100 \text{ mm}$	Gypsum	EI 120 (v_e i \leftrightarrow o) S - (500 Pa)
$200 \times 100 \text{ mm} \leq \text{CU-LT} \leq 800 \times 600 \text{ mm}$	Rigid floor	Reinforced concrete $\geq 110 \text{ mm}$	Mortar	EI 90 (h_o i \leftrightarrow o) S - (500 Pa)
$200 \times 100 \text{ mm} \leq \text{CU-LT} \leq 800 \times 600 \text{ mm}$	Rigid floor	Reinforced concrete $\geq 150 \text{ mm}$	Gypsum	EI 120 (h_o i \leftrightarrow o) S - (500 Pa)

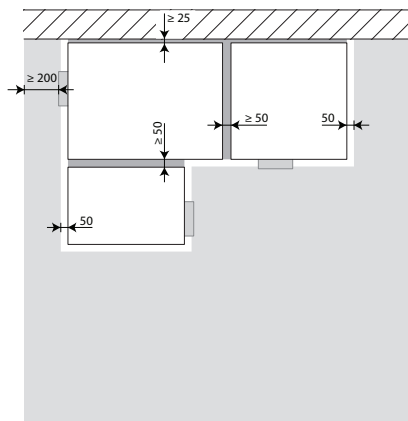
1



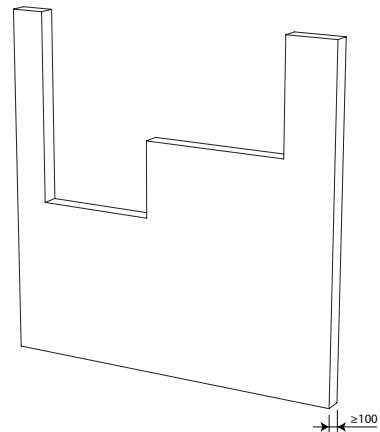
2



3

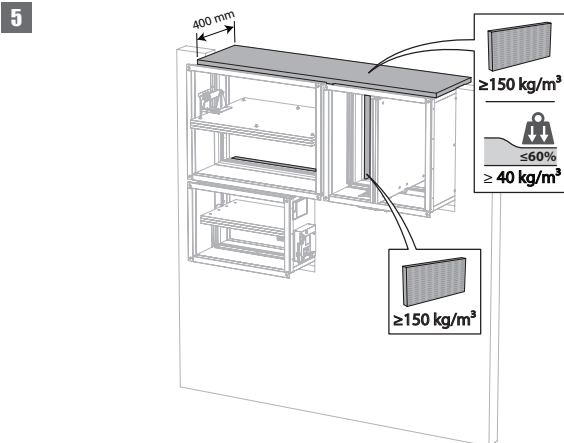


4

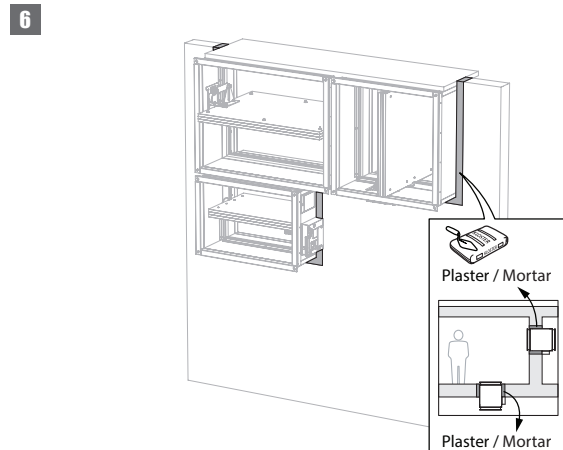


3. The dampers can be installed at a minimum distance from an adjacent floor/ceiling ($\geq 25 \text{ mm}$), from an adjacent wall or from another damper ($\geq 50 \text{ mm}$).

4. Make the necessary openings ($W_n + 100 \text{ mm}$) x ($H_n + 100 \text{ mm}$) in the wall.



5. Mount the dampers in the opening.
 Apply rigid stone wool panels ($\geq 150 \text{ kg/m}^3$) to a depth of 400 mm (150 mm on the mechanism side of the wall) to seal the opening at the side with minimal distances.
 This sealing is applied over the whole width/height of the damper(s).
 When the damper is installed at a distance of 25 mm from a floor/ceiling, the rigid high-density stone wool panels may be replaced with standard $\geq 40 \text{ kg/m}^3$ stone wool (e.g. Rockfit 431), compressed by at least 40%.

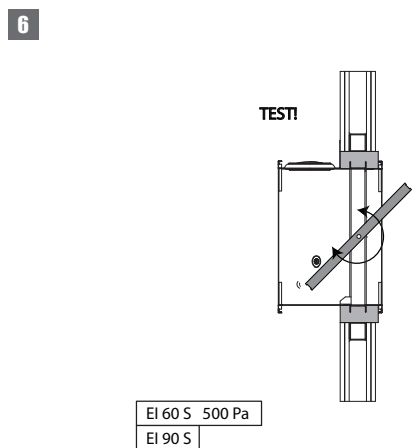
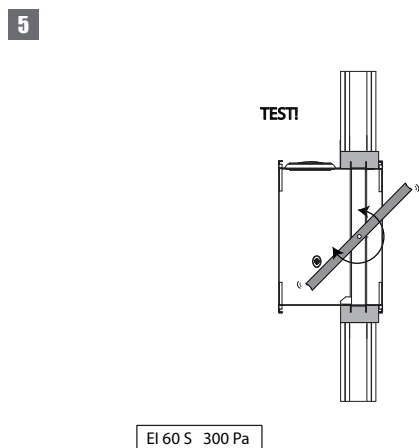
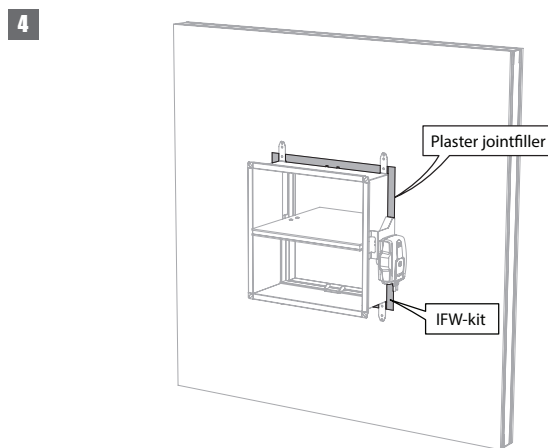
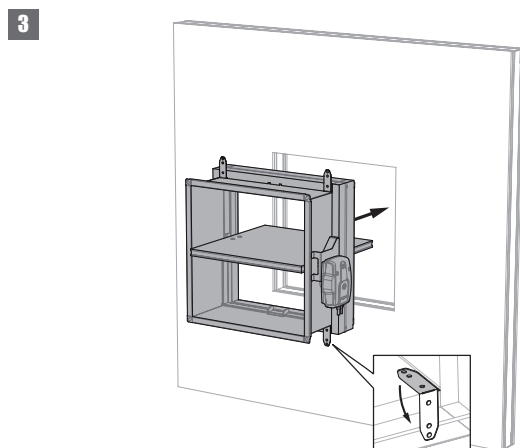
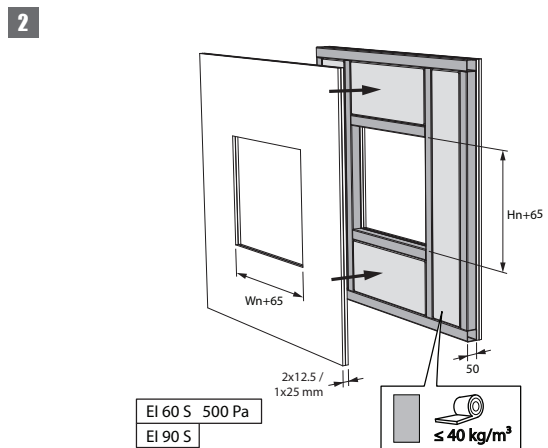
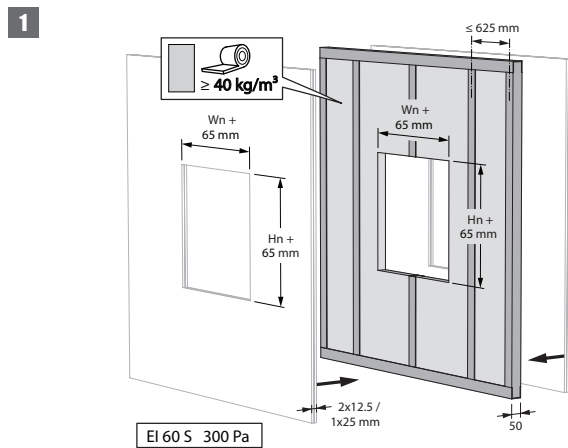


6. Seal the rest of the opening with standard mortar or gypsum.

Installation in flexible wall (metal stud gypsum plasterboard wall)

The product was tested and approved in:

Range	Wall type	Sealing	Classification
200x100 mm ≤ CU-LT ≤ 800x600 mm	Flexible wall	Installation kit	EI 60 (v _e i ↔ o) S - (500 Pa)
200x100 mm ≤ CU-LT ≤ 800x600 mm	Flexible wall	Installation kit	EI 90 (v _e i ↔ o) S - (500 Pa)

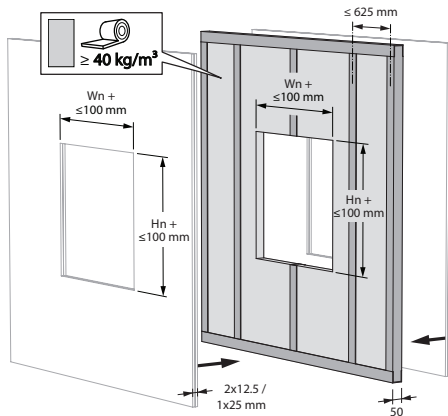


Installation in flexible wall (metal stud gypsum plasterboard wall), sealing with gypsum

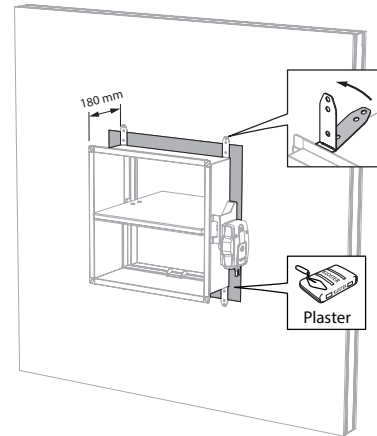
The product was tested and approved in:

Range	Wall type	Sealing	Classification
$200 \times 100 \text{ mm} \leq \text{CU-LT} \leq 800 \times 600 \text{ mm}$	Flexible wall	Gypsum	El 60 (v_e i ↔ o) S - (500 Pa)
$200 \times 100 \text{ mm} \leq \text{CU-LT} \leq 800 \times 600 \text{ mm}$	Flexible wall	Gypsum	El 90 (v_e i ↔ o) S - (500 Pa)

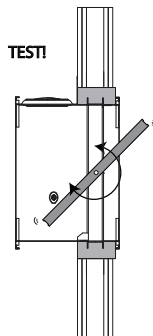
1



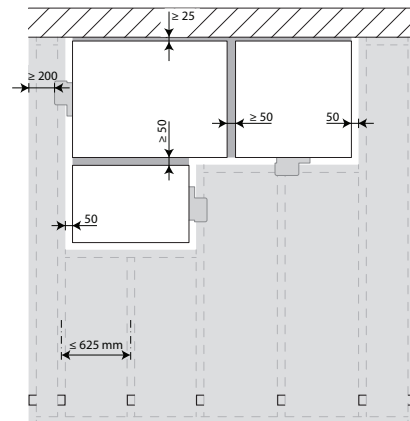
2



3

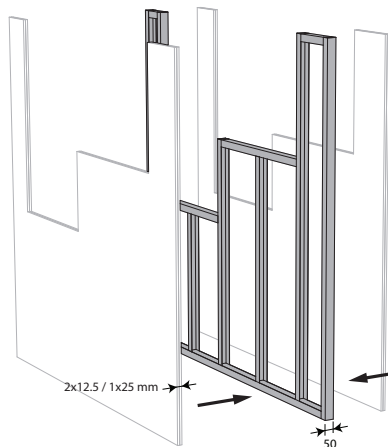


4



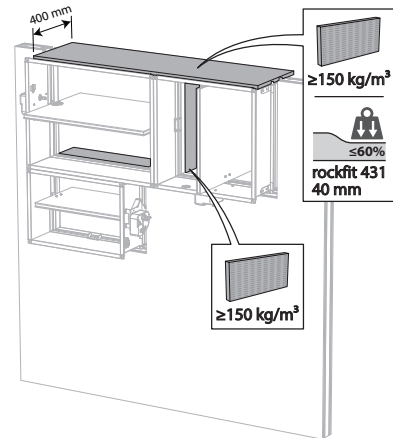
4. The dampers can be installed at a minimum distance from an adjacent floor/ceiling (≥ 25 mm), from an adjacent wall or from another damper (≥ 50 mm).

5



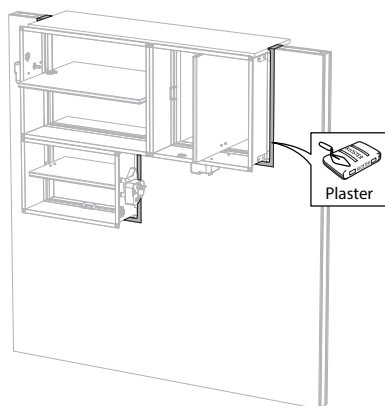
5. Build the drywall and foresee horizontal and vertical studs around the opening.

6



6. Mount the dampers in the opening.
Apply rigid stone wool panels ($\geq 150 \text{ kg/m}^3$) to a depth of 400 mm (150 mm on the mechanism side of the wall) to seal the opening at the side with minimal distances.
This sealing is applied over the whole width/height of the damper(s).
When the damper is installed at a distance of 25 mm from a floor/ceiling, the rigid high-density stone wool panels may be replaced with standard $\geq 40 \text{ kg/m}^3$ stone wool (e.g. Rockfit 431), compressed by at least 40%.

7

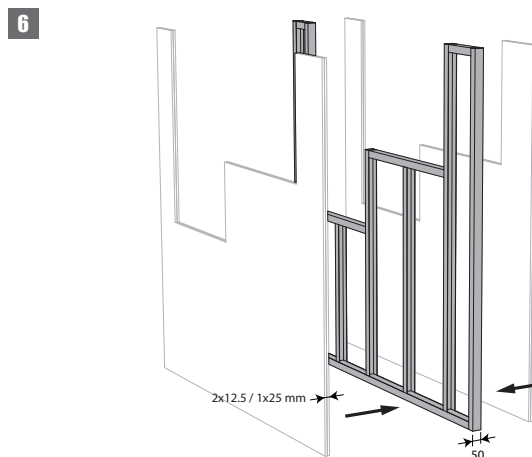
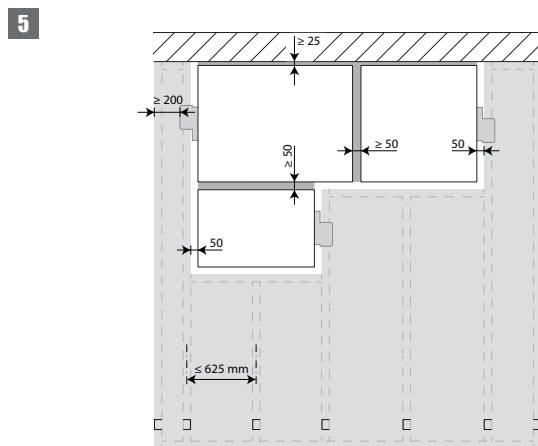
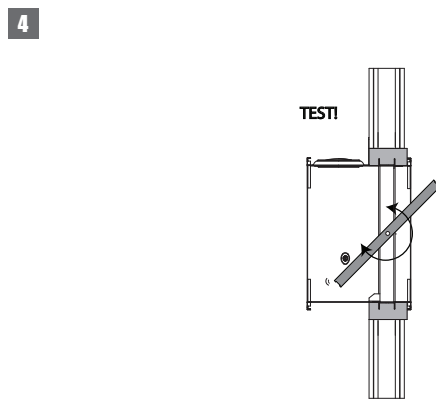
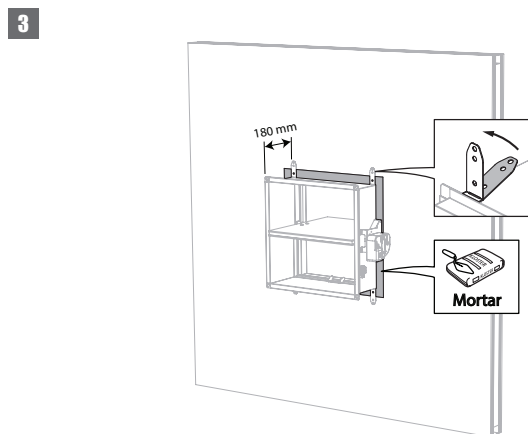
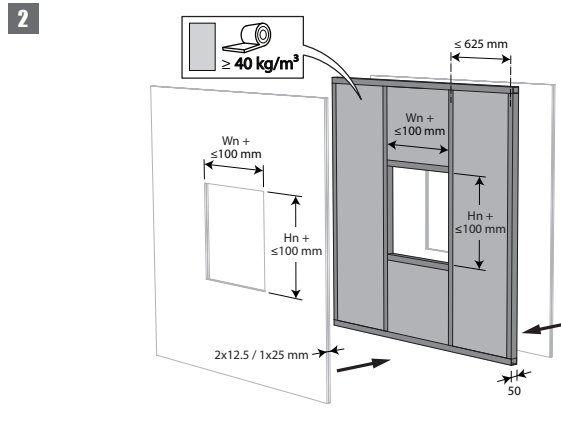
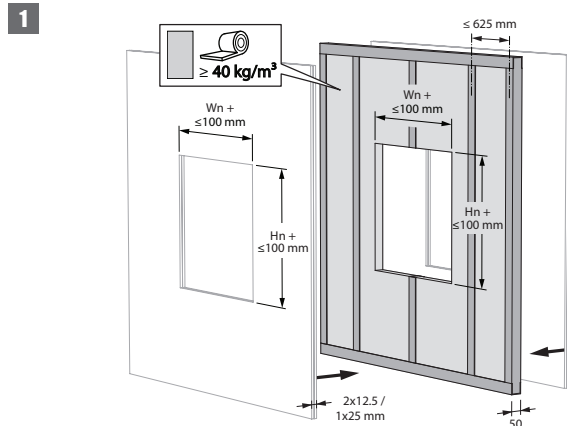


7. Seal the rest of the opening (50 mm) with standard gypsum across the entire wall thickness.

Installation in flexible wall (metal stud gypsum plasterboard wall), sealing with mortar

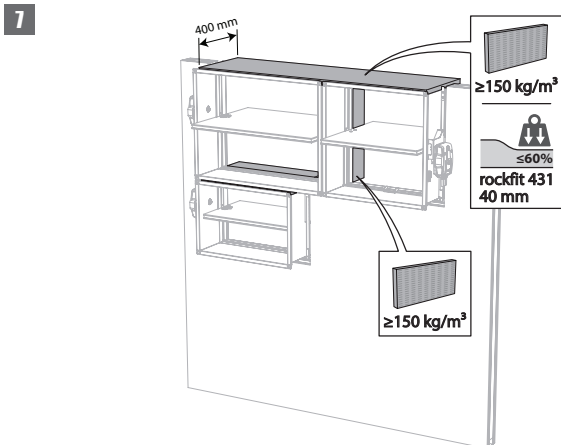
The product was tested and approved in:

Range	Wall type	Sealing	Classification
200x100 mm ≤ CU-LT ≤ 800x600 mm	Flexible wall	Mortar	El 90 (v _e i ↔ o) S - (300 Pa)

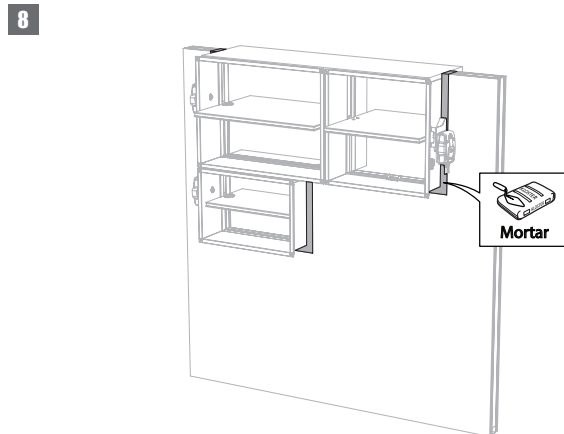


5. The dampers can be installed at a minimum distance from an adjacent floor/ceiling (≥ 25 mm), from an adjacent wall or from another damper (≥ 50 mm).

6. Build the drywall and foresee horizontal and vertical studs around the opening.



7. Mount the dampers in the opening.
Apply rigid stone wool panels ($\geq 150 \text{ kg/m}^3$) to a depth of 400 mm (150 mm on the mechanism side of the wall) to seal the opening at the side with minimal distances.
This sealing is applied over the whole width/height of the damper(s).
When the damper is installed at a distance of 25 mm from a floor/ceiling, the rigid high-density stone wool panels may be replaced with standard $\geq 40 \text{ kg/m}^3$ stone wool (e.g. Rockfit 431), compressed by at least 40%.

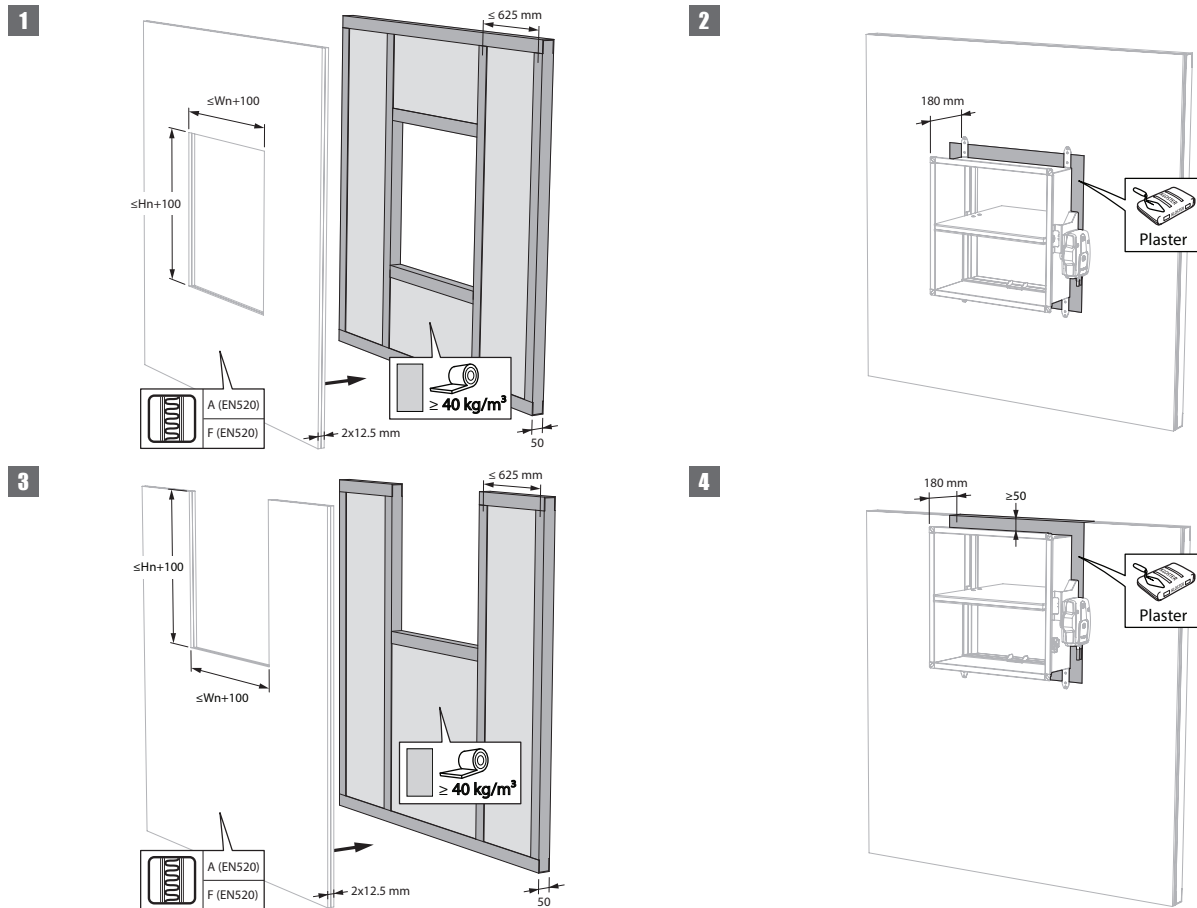


8. Seal the rest of the opening (50 mm) with standard mortar across the entire wall thickness.

Installation in shaft wall, sealing with gypsum

The product was tested and approved in:

Range	Wall type	Sealing	Classification
$200 \times 100 \text{ mm} \leq \text{CU-LT} \leq 800 \times 600 \text{ mm}$	Asymmetrical flexible wall (shaft wall)	Metal studs gypsum plasterboard Type A (EN 520) $\geq 75 \text{ mm}$	EI 30 (v_e i \leftrightarrow o) S - (500 Pa)

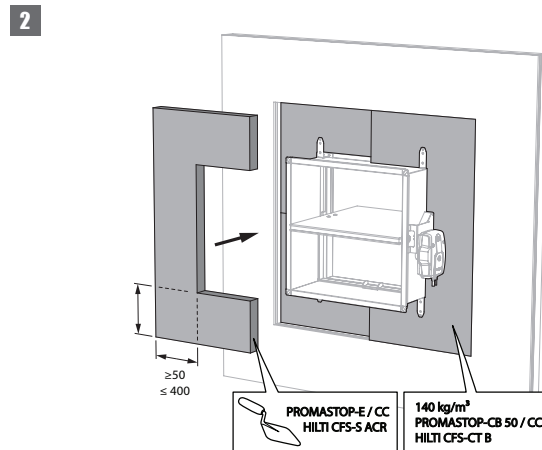
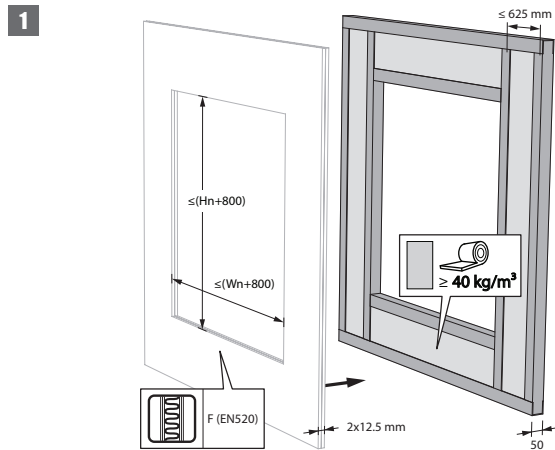


3. The dampers can be installed at a minimum distance (≥ 50 mm) from a ceiling or floor slab.

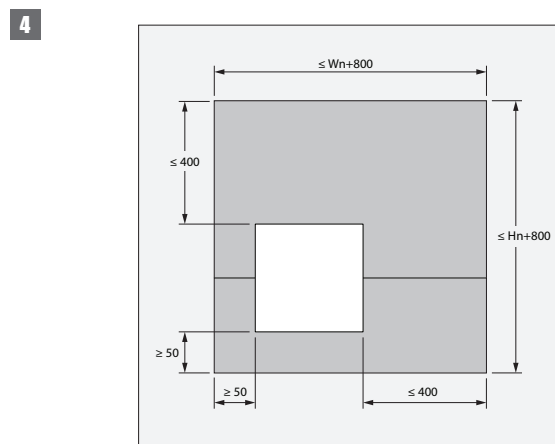
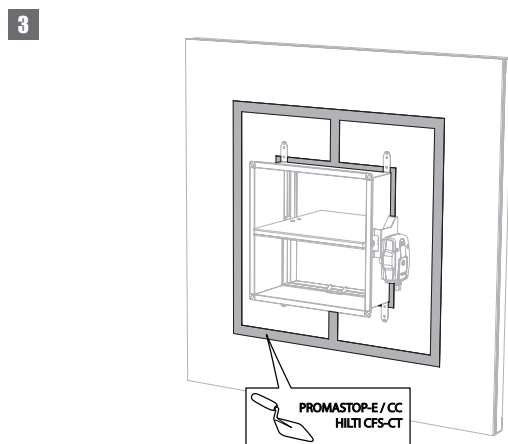
Installation in shaft wall, sealing with rigid rock wool boards with coating

The product was tested and approved in:

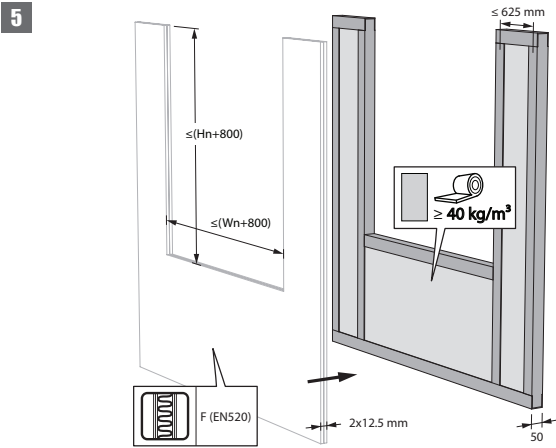
Range	Wall type	Sealing	Classification
$200 \times 100 \text{ mm} \leq \text{CU-LT} \leq 800 \times 600 \text{ mm}$	Asymmetrical flexible wall (shaft wall)	Stone wool + coating $\geq 140 \text{ kg/m}^3$	El 30 (v_e i \leftrightarrow o) S - (300 Pa)



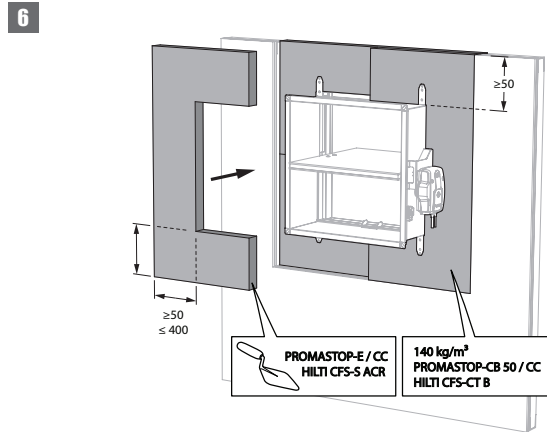
2. The opening around the damper is sealed with 2 hard rock wool slabs of 50 mm. These boards should be placed in a slanted position and the joints should be covered all around with filling paste.



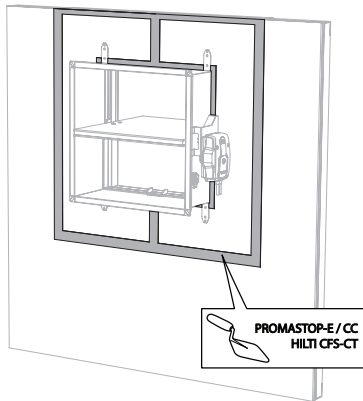
4. The damper does not need to be centered in the opening (with max dimensions $W_n \times H_n$ fire damper + 800 mm). The maximal distance between the damper and the edge of the opening is 400 mm.



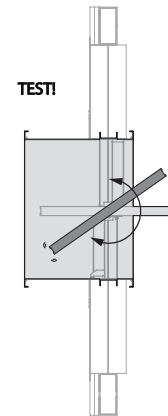
5. The dampers can be installed at a minimum distance (≥ 50 mm) from a ceiling or floor slab.



7



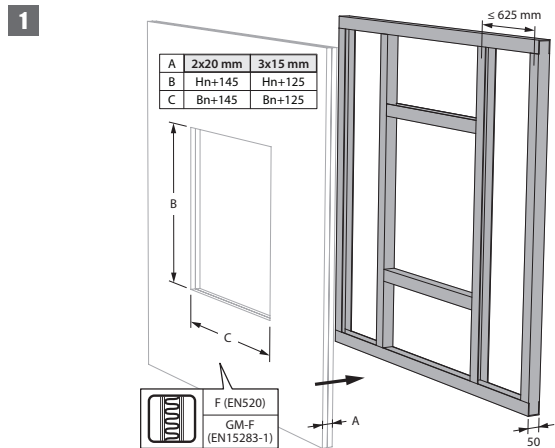
8



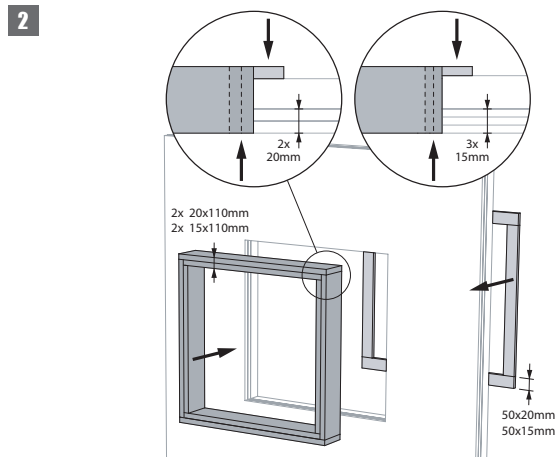
Installation in shaft wall with IFW installation kit

The product was tested and approved in:

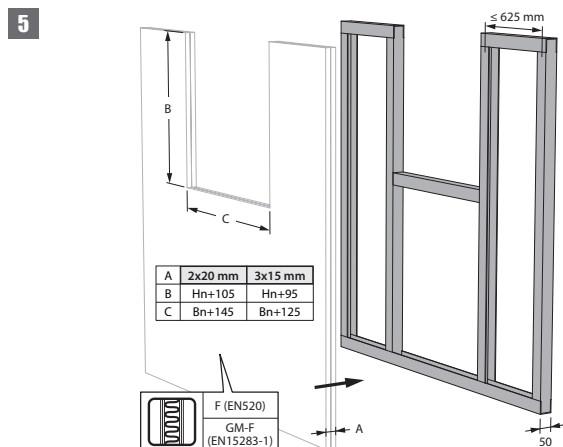
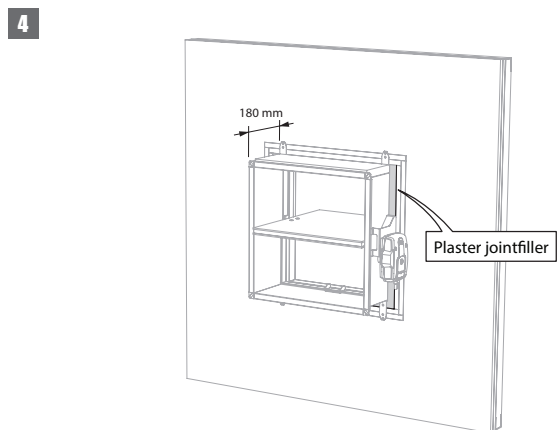
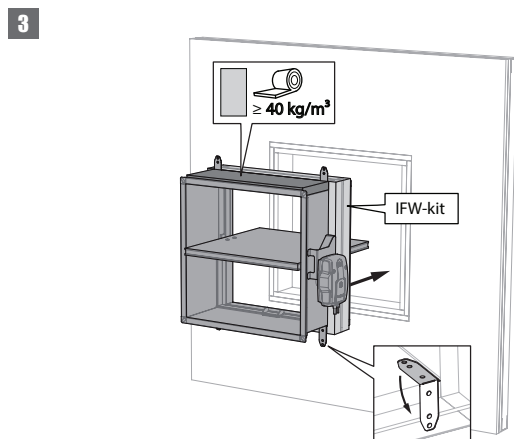
Range	Wall type	Sealing	Classification
200x100 mm ≤ CU-LT ≤ 800x600 mm	Asymmetrical flexible wall (shaft wall) Metal studs gypsum plasterboard Type F (EN 520) ≥ 90 mm	Installation kit	El 90 (v _e i ↔ o) S - (300 Pa)



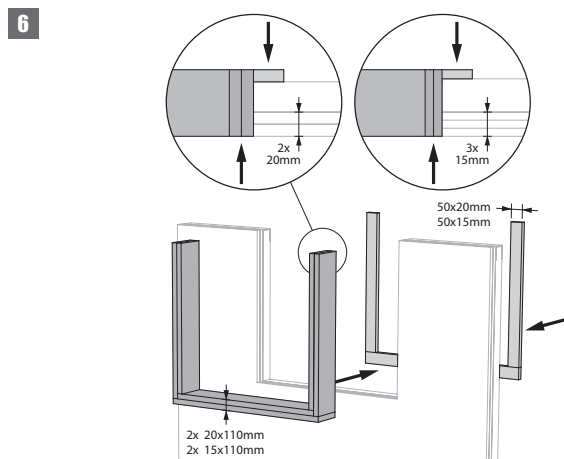
1. Depending on the shaft wall system, the cladding is 15 or 20mm thick.



2. Alternatively, the cladding in the day side can be stepped.

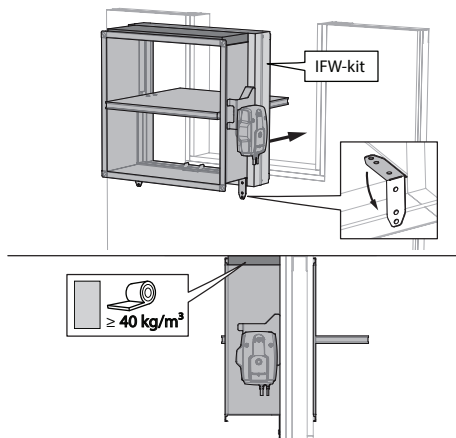


5. The fire damper may be placed at minimum distance from the ceiling/floor slab.



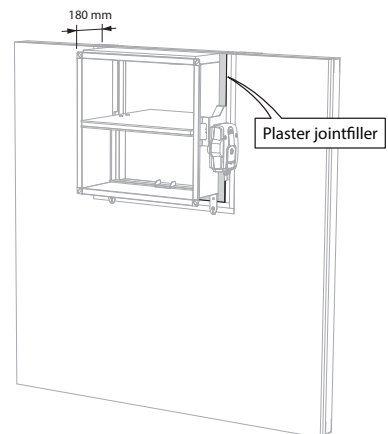
6. Alternatively, the cladding in the day side can be stepped.

7

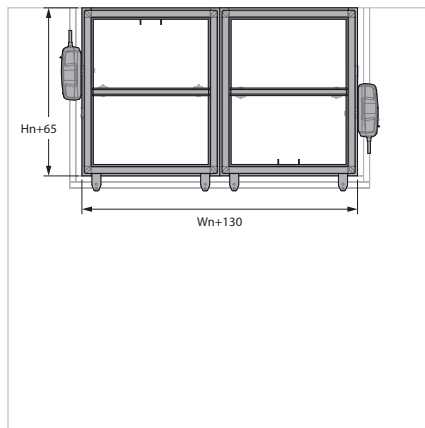


7. Fill the gap between the top of the damper and the floor slab with mineral wool.

8



9

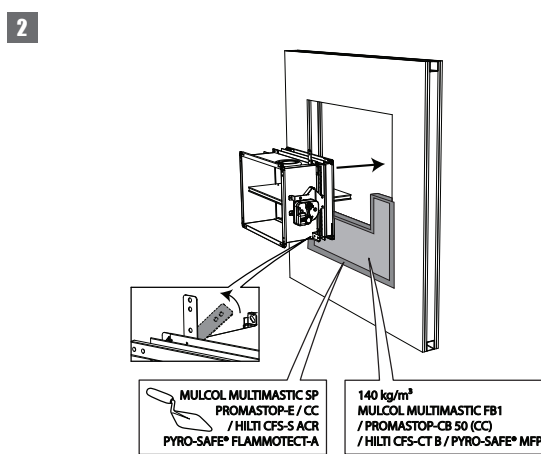
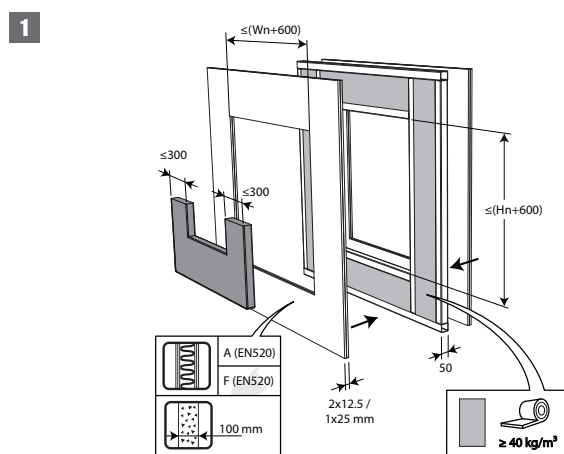


9. The fire dampers may be placed at minimum distance from each other and from the ceiling/floor slab.

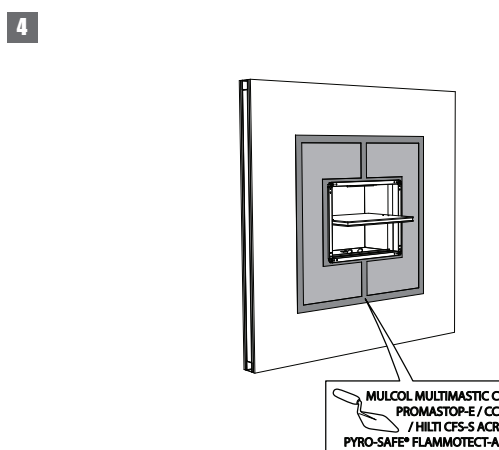
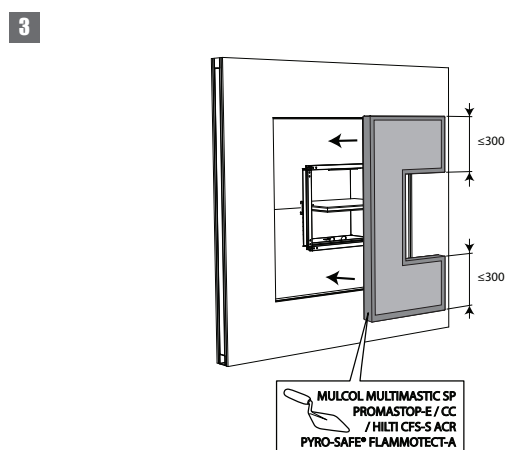
Installation in flexible and rigid wall, sealing with rigid rock wool boards with coating

The product was tested and approved in:

Range	Wall type	Sealing	Classification
200x100 mm ≤ CU-LT ≤ 800x600 mm	Rigid wall	Aerated concrete ≥ 100 mm	Stone wool + coating ≥ 140 kg/m ³ + coated casing
200x100 mm ≤ CU-LT ≤ 800x600 mm	Rigid wall	Aerated concrete ≥ 100 mm	Stone wool + coating ≥ 140 kg/m ³
200x100 mm ≤ CU-LT ≤ 800x600 mm	Flexible wall	Metal studs gypsum plasterboard Type A (EN 520) ≥ 100 mm	Stone wool + coating ≥ 140 kg/m ³
200x100 mm ≤ CU-LT ≤ 800x600 mm	Flexible wall	Metal studs gypsum plasterboard Type F (EN 520) ≥ 100 mm	Stone wool + coating ≥ 140 kg/m ³ + coated casing
200x100 mm ≤ CU-LT ≤ 800x600 mm	Flexible wall	Metal studs gypsum plasterboard Type F (EN 520) ≥ 100 mm	Stone wool + coating ≥ 140 kg/m ³

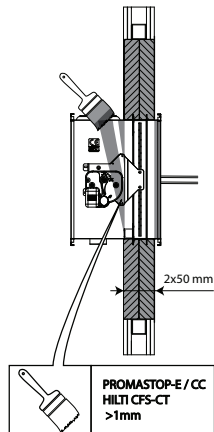


1. The opening around the damper is sealed with 2 layers of 50 mm-thick mineral wool panels with fire resistant coating on one side (type PROMASTOP-CB 50 / PROMASTOP-CB/CC 50 / HILTI CFS-CT B / Mulcol Multimastic FB1 / PYRO-SAFE® MFP). EI120S only possible with Hilti or Promat material.



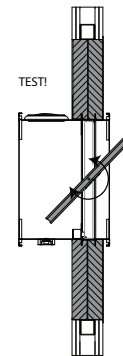
3. The joints on these 2 layers must be installed staggered and covered all around the edge with coating (type PROMASTOP-E / PROMASTOP-CC / HILTI CFS-S-ACR / Mulcol Multimastic SP / PYRO-SAFE® FLAMMOTECT-A).

5

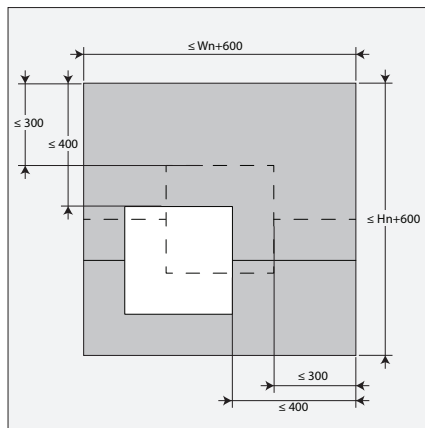


5. For EI 120 S, the casing of the fire damper must be covered with a layer (> 1 mm) of coating (type PROMASTOP E / PROMASTOP CC / HILTI CFS-CT).

6

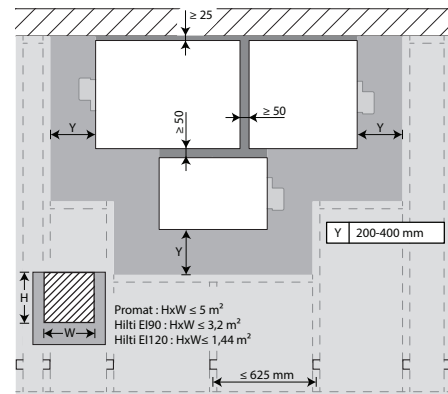


7



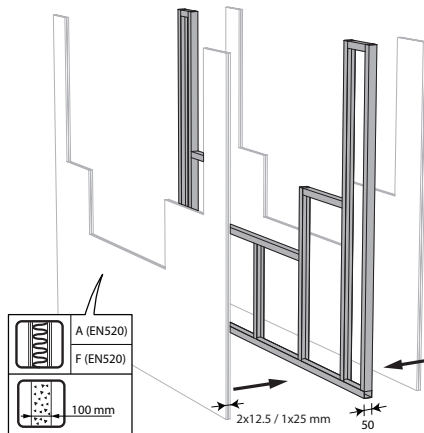
7. The damper does not need to be centered in the opening (with max dimensions fire damper + 600 mm). The maximal distance between the damper and the edge of the opening is 400 mm.

8



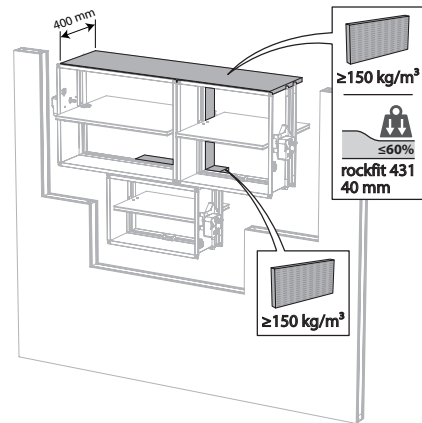
8. The dampers can be installed at a minimum distance from an adjacent floor/ceiling (≥ 25 mm), from an adjacent wall or from another damper (≥ 50 mm).

9



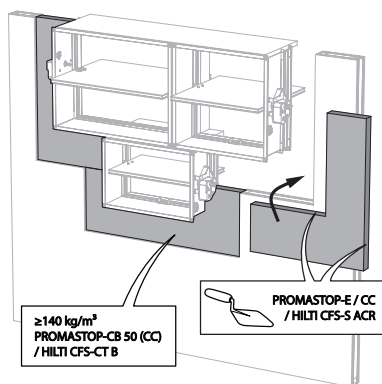
9. Build the drywall and foresee horizontal and vertical studs around the opening.

10



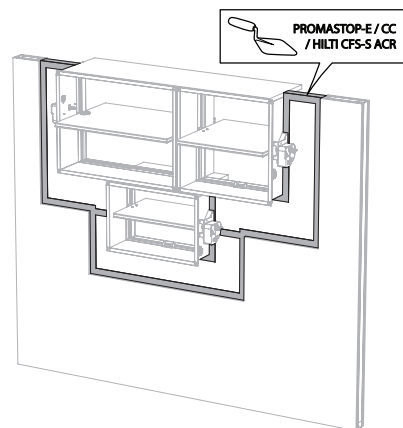
10. Mount the dampers in the opening. Apply rigid stone wool panels ($\geq 150 \text{ kg/m}^3$) to a depth of 400 mm (150 mm on the mechanism side of the wall) to seal the opening at the side with minimal distances. This sealing is applied over the whole width/height of the damper(s). When the damper is installed at a distance of 25 mm from a floor/ceiling, the rigid high-density stone wool panels may be replaced with standard $\geq 40 \text{ kg/m}^3$ stone wool (e.g. Rockfit 431), compressed by at least 40%.

11



11. Seal the rest of the opening with 2 layers of 50 mm-thick coated rigid mineral wool panels (see above).

12

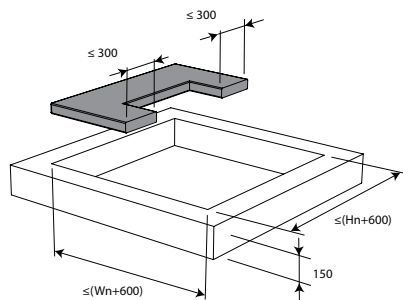


Installation in rigid floor, sealing with rigid rock wool boards with coating

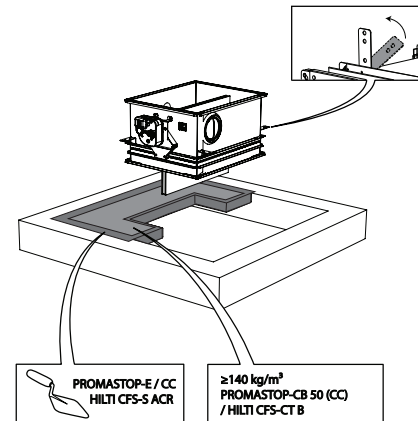
The product was tested and approved in:

Range	Wall type	Sealing	Classification
$200 \times 100 \text{ mm} \leq \text{CU-LT} \leq 800 \times 600 \text{ mm}$	Rigid floor	Aerated concrete $\geq 150 \text{ mm}$	Stone wool + coating $\geq 140 \text{ kg/m}^3$ + coated casing
$200 \times 100 \text{ mm} \leq \text{CU-LT} \leq 800 \times 600 \text{ mm}$	Rigid floor	Aerated concrete $\geq 150 \text{ mm}$	Stone wool + coating $\geq 140 \text{ kg/m}^3$

1

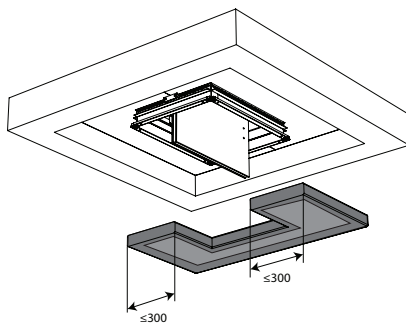


2

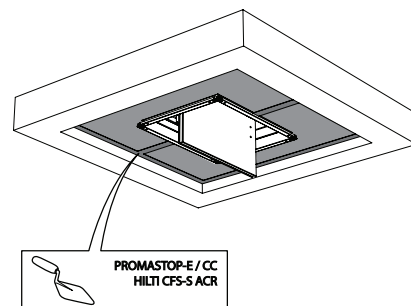


1. The opening around the damper is sealed with 2 layers of 50 mm-thick mineral wool panels with fire resistant coating on one side (type PROMASTOP-CB 50 / PROMASTOP-CB/CC 50 / HILTI CFS-CT B).

3

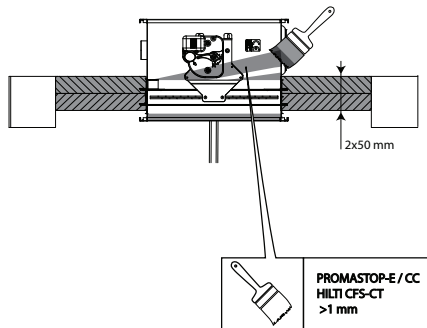


4



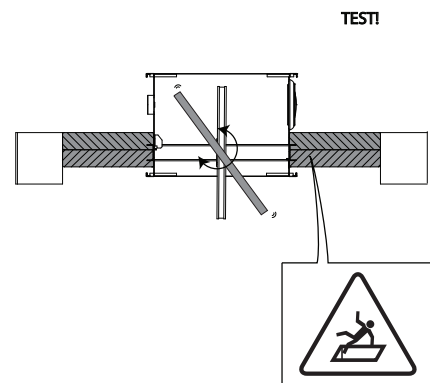
3. The joints on these 2 layers must be installed staggered and covered all around the edge with coating (type PROMASTOP-E / PROMASTOP-CC / HILTI CFS-S ACR).

5

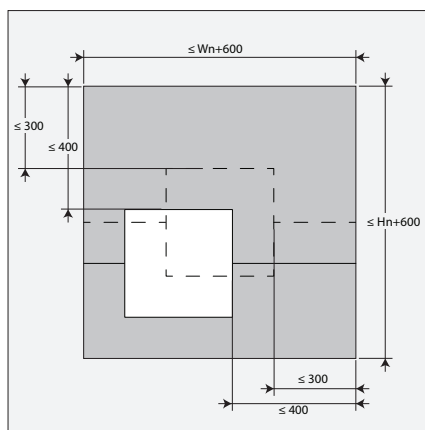


5. For EI 120 S, the casing of the fire damper must be covered with a layer (> 1 mm) of coating (type PROMASTOP E / PROMASTOP CC / HILTI CFS-CT).
(only for 120 minutes)

6

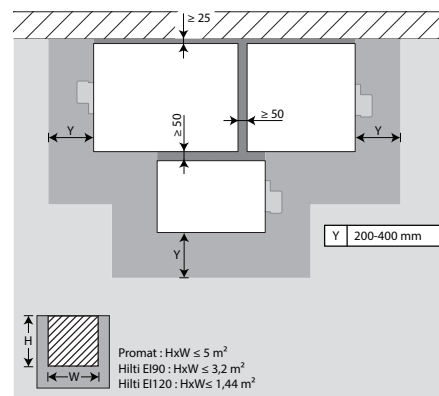


7



7. The damper does not need to be centered in the opening (with max dimensions fire damper + 600 mm). The maximal distance between the damper and the edge of the opening is 400 mm.

8

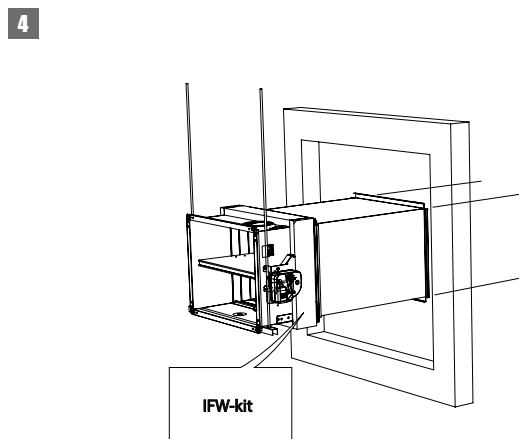
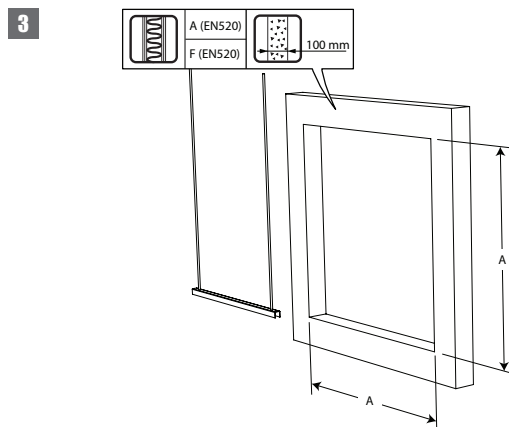
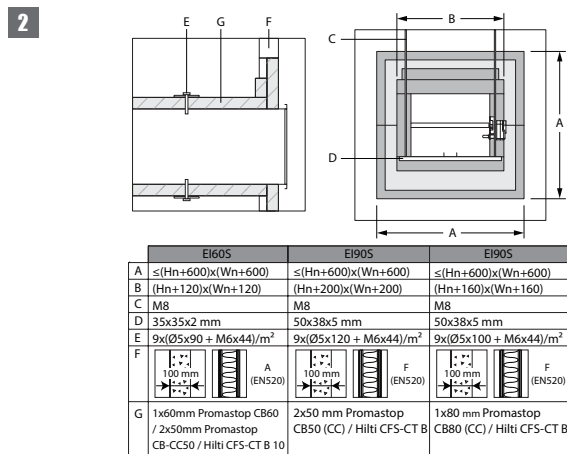
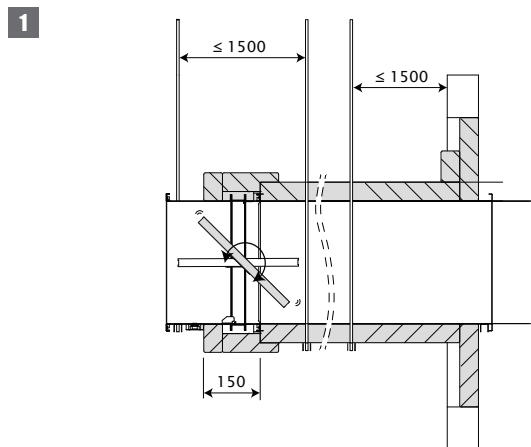


8. The dampers can be installed at a minimum distance from an adjacent wall or from another damper (≥ 50 mm). For details, please refer to 'Installation in flexible and rigid wall, sealing with rigid rock wool boards with coating'

Installation remote from the wall, sealing and insulation with rigid rock wool boards with coating

The product was tested and approved in:

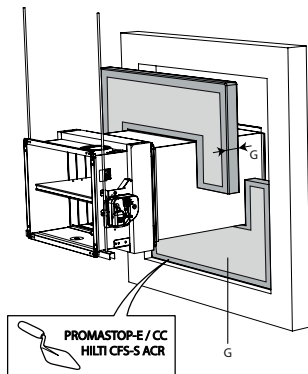
Range	Wall type	Sealing	Classification
$200 \times 100 \text{ mm} \leq \text{CU-LT} \leq 800 \times 600 \text{ mm}$	Rigid wall	Aerated concrete $\geq 100 \text{ mm}$	Galvanised duct + stone wool + coating $\geq 140 \text{ kg/m}^3$ 1x60 mm + IFW installation kit
$200 \times 100 \text{ mm} \leq \text{CU-LT} \leq 800 \times 600 \text{ mm}$	Rigid wall	Aerated concrete $\geq 100 \text{ mm}$	Galvanised duct + stone wool + coating $\geq 140 \text{ kg/m}^3$ 1x80 mm + IFW installation kit
$200 \times 100 \text{ mm} \leq \text{CU-LT} \leq 800 \times 600 \text{ mm}$	Rigid wall	Aerated concrete $\geq 100 \text{ mm}$	Galvanised duct + stone wool + coating $\geq 140 \text{ kg/m}^3$ 2x50 mm + IFW installation kit
$200 \times 100 \text{ mm} \leq \text{CU-LT} \leq 800 \times 600 \text{ mm}$	Flexible wall	Metal studs gypsum plasterboard Type A (EN 520) $\geq 100 \text{ mm}$	Galvanised duct + stone wool + coating $\geq 140 \text{ kg/m}^3$ 1x60 mm + IFW installation kit
$200 \times 100 \text{ mm} \leq \text{CU-LT} \leq 800 \times 600 \text{ mm}$	Flexible wall	Metal studs gypsum plasterboard Type A (EN 520) $\geq 100 \text{ mm}$	Galvanised duct + stone wool + coating $\geq 140 \text{ kg/m}^3$ 2x50 mm + IFW installation kit
$200 \times 100 \text{ mm} \leq \text{CU-LT} \leq 800 \times 600 \text{ mm}$	Flexible wall	Metal studs gypsum plasterboard Type F (EN 520) $\geq 100 \text{ mm}$	Galvanised duct + stone wool + coating $\geq 140 \text{ kg/m}^3$ 2x50 mm + IFW installation kit



3. An opening with maximal dimensions "A" is made in the wall. For a light partition wall, follow the wall assembly under "Installation in flexible or rigid wall - Sealing with fire resistant rigid panels of stone wool".

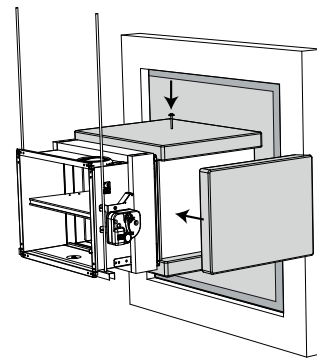
4. The fire damper is equipped with the IFW kit and mounted remote from the wall at the end of a metal duct. The duct is supported every 1500 mm as well as underneath the damper. The suspensions consist of threaded rods "C" and U-shaped steel profiles "D". A free space of maximum 25 mm is left between the threaded rods and the vertical walls of the stone wool casing "B".

5



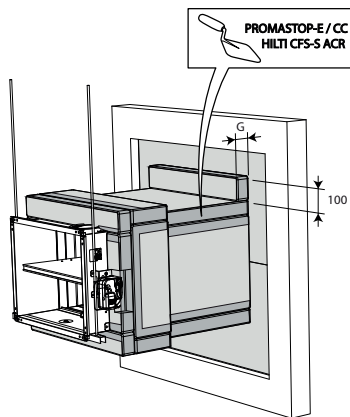
5. The opening around the duct is sealed with stone wool plates type Promastop CB/(CC) / Hilti CFS-CT B ("G"). The edges are sealed and maintained in place with PROMASTOP E / PROMASTOP CC / HILTI CFS-S ACR coating.

6



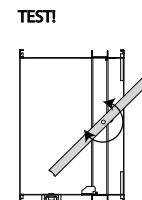
6. The duct is covered over its entire length with stone wool plates "G". To adhere to the duct, the plates are completely coated on one side with fire resistant coating and affixed to the duct with steel screws and washers "E". The damper casing is covered with stone wool plates "G" for 150 mm. A free space is left around the mechanism to allow access. The joints between the plates, between the wall and the plates as well as the screws and washers are filled with coating PROMASTOP E / PROMASTOP CC / HILTI CFS-S ACR.

7

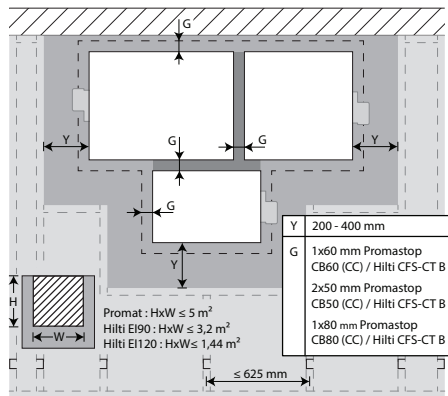


7. An additional mineral wool panel with width "B" and height 100 mm, coated with PROMASTOP E / PROMASTOP CC / HILTI CFS-S ACR, is applied where the stone wool casing meets the sealing of the wall opening.

8

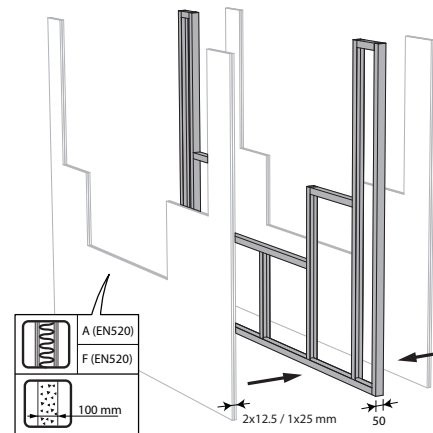


9

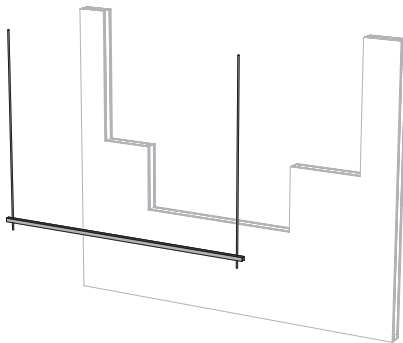


9. The dampers can be installed at a minimum distance from an adjacent floor/ceiling (≥ 25 mm), from an adjacent wall or from another damper (≥ 50 mm).

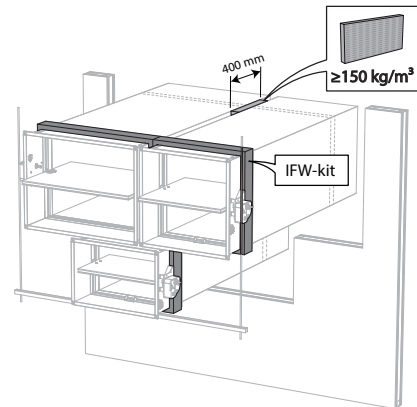
10



11

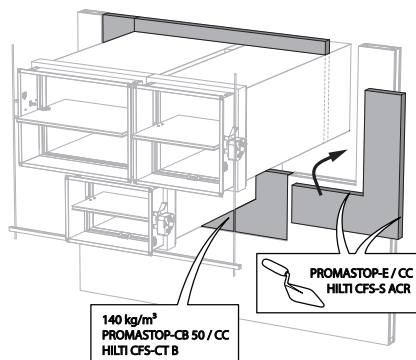


12

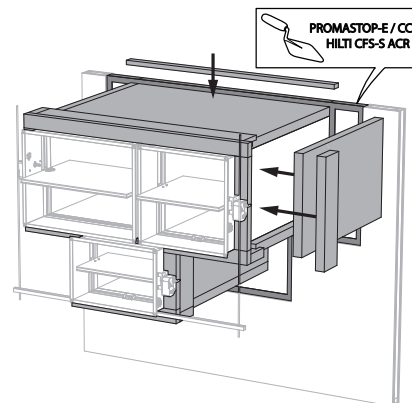


12. Apply rigid stone wool panels ($\geq 150 \text{ kg/m}^3$) to a depth of 400 mm (150 mm on the mechanism side of the wall) to seal the opening at the side with minimal distances. When the distance between the damper and the wall is greater than 75 mm, the sealing of the opening between the damper and the wall is carried out according to the pre-existing classification.

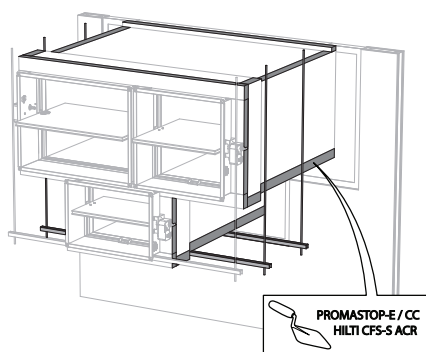
13



14



15

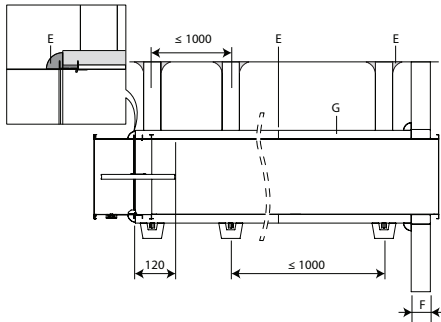


Installation remote from the wall + GEOFLAM

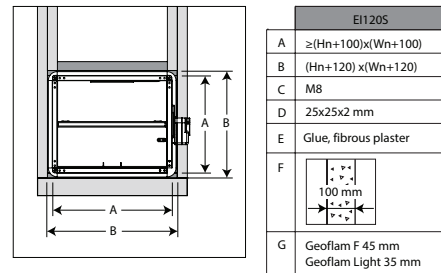
The product was tested and approved in:

Range	Wall type	Sealing	Classification
$200 \times 100 \text{ mm} \leq \text{CU-LT} \leq 800 \times 600 \text{ mm}$	Rigid wall	Aerated concrete $\geq 100 \text{ mm}$	Galvanised duct + GEOFLAM® F 45 mm + mortar
$200 \times 100 \text{ mm} \leq \text{CU-LT} \leq 800 \times 600 \text{ mm}$	Rigid wall	Aerated concrete $\geq 100 \text{ mm}$	Galvanised duct + GEOFLAM® Light 35 mm + mortar

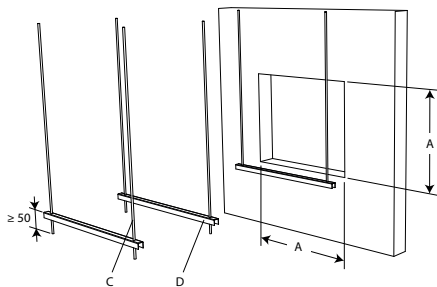
1



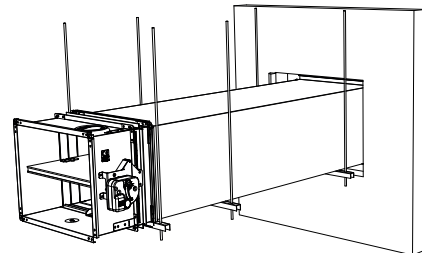
2



3



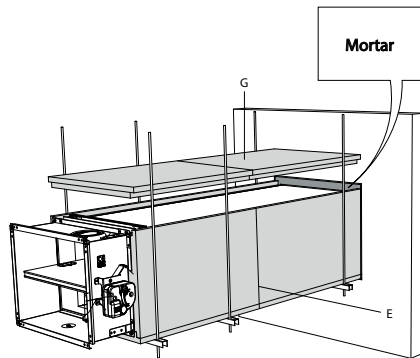
4



3. An opening with maximal dimensions "A" is made in the wall.

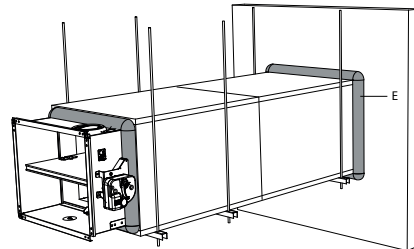
4. The fire damper is mounted remote from the wall at the end of a metal duct. The duct is supported every 1000 mm. The suspensions consist of threaded rods "C" and U-shaped steel profiles "D". A free space of maximum 25 mm is left between the threaded rods and the vertical walls of the casing "B".

5



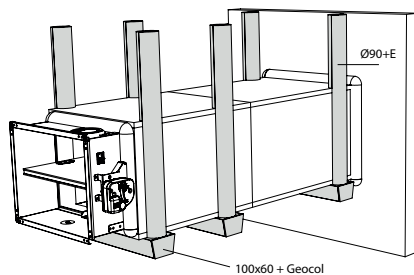
5. The opening around the duct is sealed with standard mortar. The duct is covered with 45 mm thick GEOFLAM F plates or 35 mm thick GEOFLAM Light plates "G". The plates adhere to each other with glue and fibrous plaster "E". The damper casing is also covered on a length of 120 mm.

6



6. The GEOFLAM F plates stop at a distance of 15 mm from the wall. The free space is filled with fibrous plaster. The same filling is applied to seal off the connection between the GEOFLAM F plates and the damper casing.

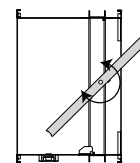
7



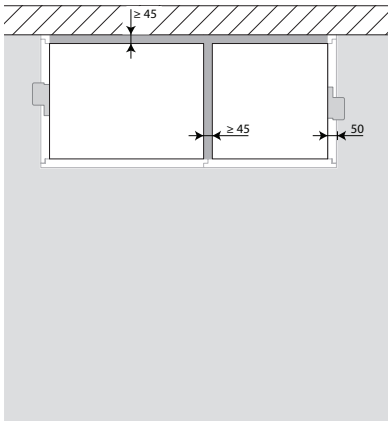
7. The threaded rods are covered with U-shaped plates of GEOFLAM (Ø 90 mm) and affixed with glue and fibrous plaster. The profiles are covered with U-shaped shells GEOFLAM 100 x 60 mm, which are affixed to the underside of the shaft with GEOCOL (GEOSTAFF) cement plaster.

8

TEST!

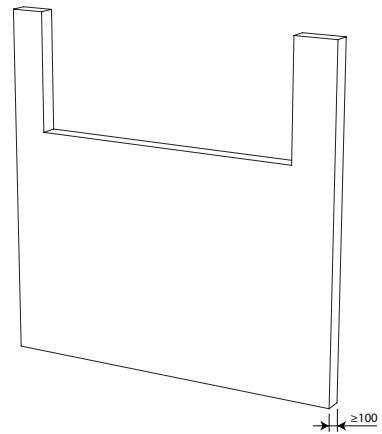


9

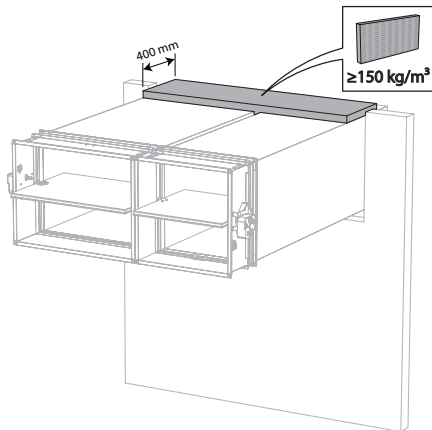


9. The dampers can be installed at a minimum distance from an adjacent floor/ceiling (≥ 25 mm), from an adjacent wall or from another damper (≥ 50 mm).

10

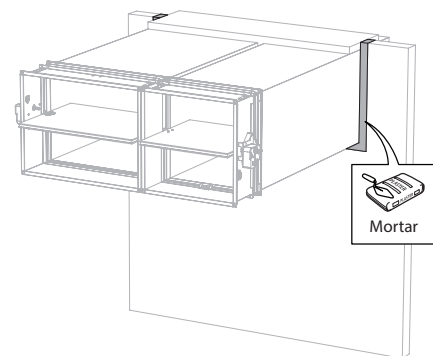


11

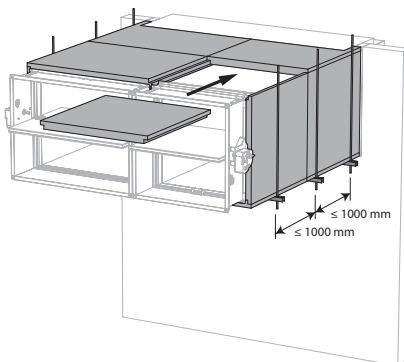


11. Apply rigid stone wool panels (≥ 150 kg/m³) to a depth of 400 mm (150 mm on the mechanism side of the wall) to seal the opening at the side with minimal distances.

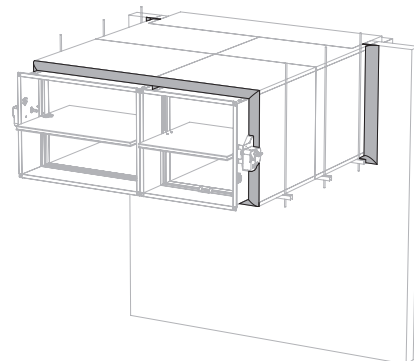
12



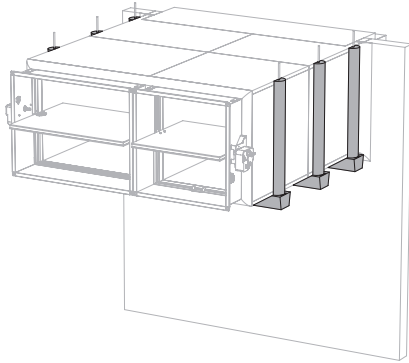
13



14



15



Maintenance

- No specific maintenance required.
- Schedule at least 2 visual checks each year.
- Remove dust and all other particles before use.
- Follow local maintenance regulations (i.e. BS9999 Annex V; NF S 61-933) and EN13306.
- Read the maintenance instructions on our website:
https://www.rft.eu/assets//PIM/DOCUMENTS/BROCHURE%20KITS/BRO_K139_MAINTENANCE_C.pdf
- Use the damper at up to 95% humidity, non-condensing.
- The fire damper can be cleaned with a dry or slightly damp cloth. It is forbidden to use abrasive cleaners or mechanical cleaning techniques (brush).

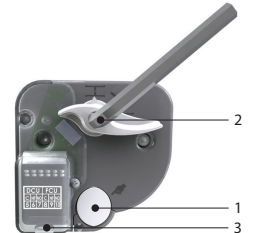
Operation and mechanisms



MFUS(P) Mechanism with fusible link

The operating mechanism MFUS(P) automatically unlocks the blade when the temperature in the duct exceeds 72°C. The damper can also be unlocked and reset manually.

1. unlocking button
2. resetting handle
3. cable entrance



Options - at the time of order

FDCU Limit switch 'open/closed'

Unlocking

- **manual unlocking:** press the unlocking button (1).
- **automatic unlocking:** the fusible link melts when the temperature reaches 72°C in the duct.
- **remote unlocking:** n/a

Resetting

- **manual resetting:** turn the resetting handle (2) 90° clockwise (or use a 10 mm hex key).
- **motorised resetting:** n/a

Caution:

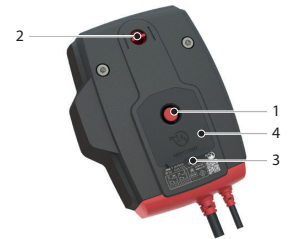
- ⚠ The mechanism may never be tested on its own, without being attached to the damper. Such a test might damage the mechanism or the operator might be injured.



ONE Spring return actuator for remote control

The spring-return actuator ONE is designed to easily operate Rf-t fire dampers of all sizes, automatically or remotely. Six models are available, 24 or 230 volt, with FDCU or FDCB position switches; and optionally with plug (ST).

1. unlocking button
2. blade position indicator
3. LED
4. battery compartment to reset motor



Unlocking

- **manual unlocking:** shortly press the unlocking button (1) once.
- **automatic unlocking:** the fusible link reacts as soon as the temperature in the duct reaches 72°C.
- **remote unlocking:** by interrupting the power supply.

Resetting

- **manual resetting:** open the battery compartment (4) and press a 9V battery against the contact springs. Hold this position until the LED (3) emits a continuous light. Check whether the indicator (2) shows that the damper blade is in the open position. Remove the battery, the LED fades away. Close the battery compartment.
- **motorised resetting:** switch off the power supply for at least 5 sec. Power the actuator (respect the prescribed voltage) for at least 75 sec. The resetting stops automatically when the end of range is reached (damper open).

Caution:

- ▲ If the LED (3) flickers fast (3x/sec.), the battery is discharged: use a new battery.
- ▲ If the LED (3) flickers slowly (1x/sec), the resetting is in progress.
- ▲ If the LED (3) is continuously on, the resetting is complete and the motor is powered.
- ▲ If the actuator detects voltage on the power cable, a brief contact of the battery is enough to start the resetting process.
- ▲ The power supply of this actuator cannot be individually replaced. If the cable is damaged, the whole unit must be discarded and replaced.
- ▲ The housing of the mechanism contains a temperature sensor. When the temperature in the housing exceeds 72°C, the mechanism unlocks. The LED flashes twice per second. When the temperature drops below 72°C, the mechanism can only be reset in a motorised manner after a manual reset (with a battery).
- ▲ The end of range switches need 1 second after operation to adopt a stable position.
- ▲ Make sure the thermal trigger device is present in the actuator. The actuator might not function properly if this is not the case.

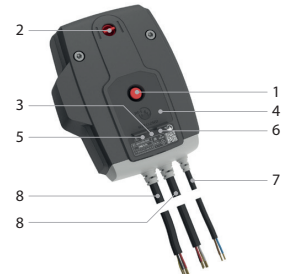
	prod. < 1/7/2015				prod. ≥ 1/7/2015			
	CR60(1s) CR120	CU-LT CU-LT-1s	CR2≤400 CU2≤1200	CR2>400 CU2>1200	CR60(1s) CR120(1s)	CU-LT CU-LT-1s	CR2≤400 CU2≤1200	CR2>400 CU2>1200
Kit ONE	●	●	●		●	●	●	●



ONE-X Spring return actuator with integrated communication module.

The ONE-X is a spring return actuator with integrated communication module designed to simply operate Rf-t fire dampers of all sizes, automatically or remotely. The ONE-X is available in two versions: 24 V and 230 V.

1. unlocking button
2. blade position indicator
3. LED red: status
4. battery compartment
5. LED blue: communication
6. LED orange: error message
7. supply
8. bus cable



Unlocking

- **manual unlocking:** shortly press the unlocking button (1) once.
- **automatic unlocking:** the fusible link reacts as soon as the temperature in the duct reaches 72°C.
- **remote unlocking:** via ZENiX controller

Resetting

- **manual resetting:** Open the battery compartment (4) and press a 9V battery against the contact springs. Hold this position until the red LED (3) emits a continuous light. Control whether the indicator (2) indicates that the damper blade is open. Remove the battery. Close the battery compartment.
- **motorised resetting:** via ZENiX controller. By applying voltage during first use.

Caution:

- ▲ If the ONE-X detects voltage on the power cable, a brief contact of the battery is enough to start the resetting process, provided the ZENiX controller has sent the damper to open position or the ONE-X is being operated for the first time.
- ▲ The power supply of this actuator cannot be individually replaced. If the cable is damaged, the whole unit must be discarded and replaced.
- ▲ The housing of the mechanism contains a temperature sensor. When the temperature in the housing exceeds 72°C, the mechanism unlocks. The LED flashes twice per second. When the temperature drops below 72°C, the mechanism can only be reset in a motorised manner after a manual reset (with a battery).
- ▲ The end of range switches need 1 second after operation to adopt a stable position.

Safety regulations:

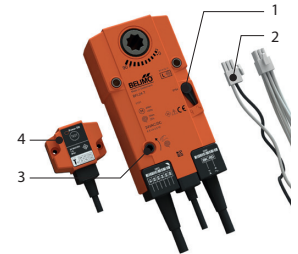
- ▲ Do not use the ONE-X for any application other than the specified applications, in particular not in aircraft or other airborne vehicles.
- ▲ The company that purchases and/or installs the ONE-X is fully responsible for the correct operation of the entire system. Only authorised specialists may perform the installation. All rules and regulations, including statutory regulations, must be observed during installation.
- ▲ This device contains electrical or electronic components and must not be disposed of as household waste. All locally applicable regulations and requirements must be strictly observed.



BFL(T) Remotely controlled spring return actuator

The spring return actuator BFL(T) is especially designed to operate fire dampers remotely. The BFL(T) variant is intended for fire dampers with smaller dimensions (CR60, CR120, CR2 with $\varnothing \leq 400$ mm, CRS60 with $\varnothing \leq 315$ mm, CU2 / CU2-15 / CU4 with B+H ≤ 1200 mm or for CU-LT and CU-LT-1s). For Markage FD with H = 200 mm or H = 2200 mm (in combination with BFT motor).

1. locking button
2. plug (ST)
3. access for manual resetting
4. thermo-electric tripping device (T)



Options - at the time of order

SN2 BFL/BFN Auxiliary limit switch 'open/closed'

Unlocking

- **manual unlocking:** place the locking button on "unlock". (In case of BFLT: the damper can alternatively be unlocked by pushing the "test" button on the thermo-electric fuse)
- **automatic unlocking:** the thermo-electric fuse reacts as soon as the temperature reaches 72°C (type BFLT).
- **remote unlocking:** by interrupting the power supply.

Caution:

⚠ The thermo-electric fuse will not move the damper into its safety position (when the temperature reaches 72°C) if the motor is not powered.

Resetting

- **manual resetting:** turn the enclosed handle anti-clockwise. To block the motor, place the locking button on "lock"
- **motorised resetting:** switch off the power supply for at least 10 seconds. Supply the actuator (respect the prescribed voltage) for at least 75 seconds. The resetting stops automatically when the end of range is reached (damper open) - it takes about 60 seconds to reset the damper - or when the power supply is interrupted.

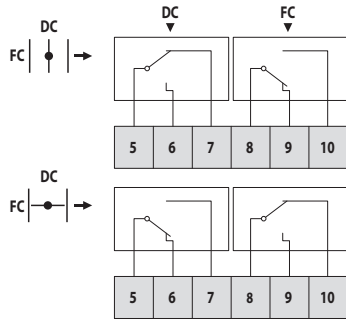
Caution:

- ⚠ Do not use a drill or powered screwdriver.
- ⚠ Stop as soon as the motor is completely rearmed (end of range).

	prod. < 1/7/2015				prod. ≥ 1/7/2015			
	CR60(1s) CR120	CU-LT CU-LT-1s	CR2≤400 CU2≤1200	CR2>400 CU2>1200	CR60(1s) CR120 (1s)	CU-LT CU-LT-1s	CR2≤400 CU2≤1200	CR2>400 CU2>1200
Kit BFL					●	●	●	
Kit BFN	●	●	●					●
Kit BF				●				

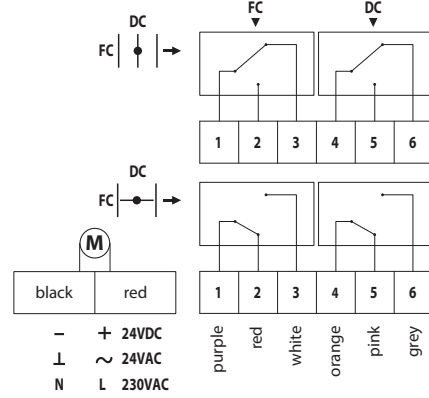
Electrical connection

MFUS(P)



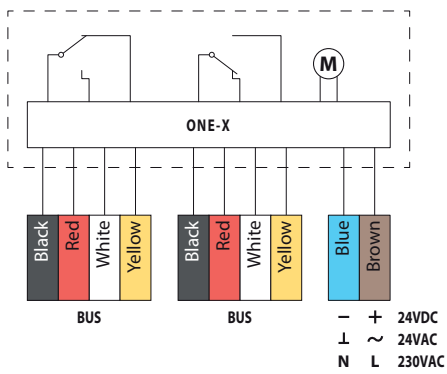
DC : Switch open position fire damper
 FC : Switch closed position fire damper

ONE

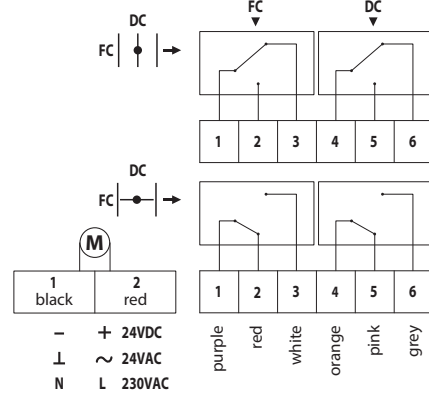


DC : Switch open position fire damper
 FC : Switch closed position fire damper

ONE-X



BFL(T)



DC : Switch open position fire damper
 FC : Switch closed position fire damper

MEC	Nominal voltage motor	Nominal voltage magnet	Power consumption (stand-by)	Power consumption (operating)	Standard switches	Resetting time motor
MFUSP	N/A	N/A	N/A	N/A	1mA...1A, DC 5V...AC 48V	N/A
ONE T 24 FDCU ST	24 V AC/DC (-10/+20%)	N/A	0,28 W	4,2W	1mA...1A 60V	< 75 s (cabled) / <85 s (battery)
ONE T 24 FDCU	24 V AC/DC (-10/+20%)	N/A	0,28 W	4,2W	1mA...1A 60V	< 75 s (cabled) / <85 s (battery)
ONE T 230 FDCU ST	230 V AC (-15/+15%)	N/A	0,57 W	4,2W	1mA...100mA 230V	< 75 s (cabled) / <85 s (battery)
ONE T 230 FDCU	230 V AC (-15/+15%)	N/A	0,57 W	4,2W	1mA...100mA 230V	< 75 s (cabled) / <85 s (battery)
ONE T 24 FDCB	24 V AC/DC (-10/+20%)	N/A	0,28 W	4,2W	1mA...1A 60V	< 75 s (cabled) / <85 s (battery)
ONE T 230 FDCB	230 V AC (-15/+15%)	N/A	0,57 W	4,2W	1mA...1A 60V	< 75 s (cabled) / <85 s (battery)
ONE-X 24	24 V AC/DC (-10/+20%)	N/A	0,28 W	4,2W		< 75 s (cabled) / <85 s (battery)
ONE-X 230	230 V AC (-15/+15%)	N/A	0,57 W	4,2W		< 75 s (cabled) / <85 s (battery)
BFL24	24 V AC/DC	N/A	0,7 W	2,5 W	1mA...3A, AC 250V	< 60 s
BFL24-ST	24 V AC/DC	N/A	0,7 W	2,5 W	1mA...3A, AC 250V	< 60 s
BFL230	230 V AC	N/A	1,1 W	3,5 W	1mA...3A, AC 250V	< 60 s
BFLT24	24 V AC/DC	N/A	0,8 W	2,5 W	1mA...3A, AC 250V	< 60 s
BFLT24-ST	24 V AC/DC	N/A	0,8 W	2,5 W	1mA...3A, AC 250V	< 60 s
BFLT230	230 V AC	N/A	1,4 W	4 W	1mA...3A, AC 250V	< 60 s
BFLT230-ST	230 V AC	N/A	1,4 W	4 W	1mA...3A, AC 250V	< 60 s

MEC	Running time spring	Noise level motor	Noise level spring	Cable supply / control	Cable auxiliary switch	Protection class
MFUSP	1 s	N/A	N/A			IP 42
ONE T 24 FDCU ST	< 30 s	< 64 dB (A)	< 67 dB (A)	1 m, 2 x 0.75 mm ² (halogen-free)	1 m, 6 x 0.75 mm ² (halogen-free)	IP 54
ONE T 24 FDCU	< 30 s	< 64 dB (A)	< 67 dB (A)	1 m, 2 x 0.75 mm ² (halogen-free)	1 m, 6 x 0.75 mm ² (halogen-free)	IP 54
ONE T 230 FDCU ST	< 30 s	< 64 dB (A)	< 67 dB (A)	1 m, 2 x 0.75 mm ² (halogen-free)	1 m, 6 x 0.75 mm ² (halogen-free)	IP 54
ONE T 230 FDCU	< 30 s	< 64 dB (A)	< 67 dB (A)	1 m, 2 x 0.75 mm ² (halogen-free)	1 m, 6 x 0.75 mm ² (halogen-free)	IP 54
ONE T 24 FDCB	< 30 s	< 64 dB (A)	< 67 dB (A)	1 m, 2 x 0.75 mm ² (halogen-free)	(2x) 1 m, 6 x 0,75 mm ² (halogen-free)	IP 54
ONE T 230 FDCB	< 30 s	< 64 dB (A)	< 67 dB (A)	1 m, 2 x 0.75 mm ² (halogen-free)	(2x) 1 m, 6 x 0,75 mm ² (halogen-free)	IP 54
ONE-X 24	< 30 s	< 64 dB (A)	< 67 dB (A)	1 m, 2 x 0.75 mm ² (halogen-free)	bus cable: (2x) 1 m, 4 x 0,75 mm ² (halogen-free)	IP 54
ONE-X 230	< 30 s	< 64 dB (A)	< 67 dB (A)	1 m, 2 x 0.75 mm ² (halogen-free)	bus cable: (2x) 1 m, 4 x 0,75 mm ² (halogen-free)	IP 54
BFL24	20 s	< 43 dB (A)	< 62 dB (A)	1 m, 2 x 0.75 mm ² (halogen-free)	1 m, 6 x 0.75 mm ² (halogen-free)	IP 54
BFL24-ST	20 s	< 43 dB (A)	< 62 dB (A)	1 m, 2 x 0.75 mm ² (halogen-free)	1 m, 6 x 0.75 mm ² (halogen-free)	IP 54
BFL230	20 s	< 43 dB (A)	< 62 dB (A)	1 m, 2 x 0.75 mm ² (halogen-free)	1 m, 6 x 0.75 mm ² (halogen-free)	IP 54
BFLT24	20 s	< 43 dB (A)	< 62 dB (A)	1 m, 2 x 0.75 mm ² (halogen-free)	1 m, 6 x 0.75 mm ² (halogen-free)	IP 54
BFLT24-ST	20 s	< 43 dB (A)	< 62 dB (A)	1 m, 2 x 0.75 mm ² (halogen-free)	1 m, 6 x 0.75 mm ² (halogen-free)	IP 54
BFLT230	20 s	< 43 dB (A)	< 62 dB (A)	1 m, 2 x 0.75 mm ² (halogen-free)	1 m, 6 x 0.75 mm ² (halogen-free)	IP 54
BFLT230-ST	20 s	< 43 dB (A)	< 62 dB (A)	1 m, 2 x 0.75 mm ² (halogen-free)	1 m, 6 x 0.75 mm ² (halogen-free)	IP 54

Weights

CU-LT + MFUSP

Hn\Wn [mm]		200	250	300	350	400	450	500	550	600	650	700	750	800		
100	kg	3,6	4,0	4,4	4,7	5,1	5,5	5,9	6,2	6,6	7,0	7,3	7,7	8,1		
150	kg	4,1	4,5	5,0	5,4	5,8	6,2	6,7	7,1	7,5	8,0	8,4	8,8	9,2		
200	kg	4,6	5,1	5,6	6,0	6,5	7,0	7,5	8,0	8,5	8,9	9,4	9,9	10,4		
250	kg	5,1	5,6	6,1	6,7	7,2	7,8	8,3	8,8	9,4	9,9	10,5	11,0	11,5		
300	kg	5,6	6,1	6,7	7,3	7,9	8,5	9,1	9,7	10,3	10,9	11,5	12,1	12,7		
350	kg	6,0	6,7	7,3	8,0	8,6	9,3	9,9	10,6	11,2	11,9	12,5	13,2	13,8		
400	kg	6,5	7,2	7,9	8,6	9,3	10,1	10,8	11,5	12,2	12,9	13,6	14,3	15,0		
450	kg	7,0	7,8	8,5	9,3	10,1	10,8	11,6	12,3	13,1	13,9	14,6	15,4	16,2		
500	kg	7,5	8,3	9,1	9,9	10,8	11,6	12,4	13,2	14,0	14,8	15,7	16,5	17,3		
550	kg	8,0	8,8	9,7	10,6	11,5	12,3	13,2	14,1	15,0	15,8	16,7	17,6	18,5		
600	kg	8,5	9,4	10,3	11,2	12,2	13,1	14,0	15,0	15,9	16,8	17,7	18,7	19,6		

CU-LT + ONE

Hn\Wn [mm]		200	250	300	350	400	450	500	550	600	650	700	750	800		
100	kg	4,8	5,2	5,6	5,9	6,3	6,7	7,1	7,4	7,8	8,2	8,5	8,9	9,3		
150	kg	5,3	5,7	6,2	6,6	7,0	7,4	7,9	8,3	8,7	9,2	9,6	10,0	10,4		
200	kg	5,8	6,3	6,8	7,2	7,7	8,2	8,7	9,2	9,7	10,1	10,6	11,1	11,6		
250	kg	6,3	6,8	7,3	7,9	8,4	9,0	9,5	10,0	10,6	11,1	11,7	12,2	12,7		
300	kg	6,8	7,3	7,9	8,5	9,1	9,7	10,3	10,9	11,5	12,1	12,7	13,3	13,9		
350	kg	7,2	7,9	8,5	9,2	9,8	10,5	11,1	11,8	12,4	13,1	13,7	14,4	15,0		
400	kg	7,7	8,4	9,1	9,8	10,5	11,3	12,0	12,7	13,4	14,1	14,8	15,5	16,2		
450	kg	8,2	9,0	9,7	10,5	11,3	12,0	12,8	13,5	14,3	15,1	15,8	16,6	17,4		
500	kg	8,7	9,5	10,3	11,1	12,0	12,8	13,6	14,4	15,2	16,0	16,9	17,7	18,5		
550	kg	9,2	10,0	10,9	11,8	12,7	13,5	14,4	15,3	16,2	17,0	17,9	18,8	19,7		
600	kg	9,7	10,6	11,5	12,4	13,4	14,3	15,2	16,2	17,1	18,0	18,9	19,9	20,8		

CU-LT + BFL

Hn\Wn [mm]		200	250	300	350	400	450	500	550	600	650	700	750	800		
100	kg	4,3	4,7	5,1	5,4	5,8	6,2	6,6	6,9	7,3	7,7	8,0	8,4	8,8		
150	kg	4,8	5,2	5,7	6,1	6,5	6,9	7,4	7,8	8,2	8,7	9,1	9,5	9,9		
200	kg	5,3	5,8	6,3	6,7	7,2	7,7	8,2	8,7	9,2	9,6	10,1	10,6	11,1		
250	kg	5,8	6,3	6,8	7,4	7,9	8,5	9,0	9,5	10,1	10,6	11,2	11,7	12,2		
300	kg	6,3	6,8	7,4	8,0	8,6	9,2	9,8	10,4	11,0	11,6	12,2	12,8	13,4		
350	kg	6,7	7,4	8,0	8,7	9,3	10,0	10,6	11,3	11,9	12,6	13,2	13,9	14,5		
400	kg	7,2	7,9	8,6	9,3	10,0	10,8	11,5	12,2	12,9	13,6	14,3	15,0	15,7		
450	kg	7,7	8,5	9,2	10,0	10,8	11,5	12,3	13,0	13,8	14,6	15,3	16,1	16,9		
500	kg	8,2	9,0	9,8	10,6	11,5	12,3	13,1	13,9	14,7	15,5	16,4	17,2	18,0		
550	kg	8,7	9,5	10,4	11,3	12,2	13,0	13,9	14,8	15,7	16,5	17,4	18,3	19,2		
600	kg	9,2	10,1	11,0	11,9	12,9	13,8	14,7	15,7	16,6	17,5	18,4	19,4	20,3		

CU-LT + BFLT

Hn\Wn (mm)		200	250	300	350	400	450	500	550	600	650	700	750	800		
100	kg	4,4	4,8	5,2	5,5	5,9	6,3	6,7	7,0	7,4	7,8	8,1	8,5	8,9		
150	kg	4,9	5,3	5,8	6,2	6,6	7,0	7,5	7,9	8,3	8,8	9,2	9,6	10,0		
200	kg	5,4	5,9	6,4	6,8	7,3	7,8	8,3	8,8	9,3	9,7	10,2	10,7	11,2		
250	kg	5,9	6,4	6,9	7,5	8,0	8,6	9,1	9,6	10,2	10,7	11,3	11,8	12,3		
300	kg	6,4	6,9	7,5	8,1	8,7	9,3	9,9	10,5	11,1	11,7	12,3	12,9	13,5		
350	kg	6,8	7,5	8,1	8,8	9,4	10,1	10,7	11,4	12,0	12,7	13,3	14,0	14,6		
400	kg	7,3	8,0	8,7	9,4	10,1	10,9	11,6	12,3	13,0	13,7	14,4	15,1	15,8		
450	kg	7,8	8,6	9,3	10,1	10,9	11,6	12,4	13,1	13,9	14,7	15,4	16,2	17,0		
500	kg	8,3	9,1	9,9	10,7	11,6	12,4	13,2	14,0	14,8	15,6	16,5	17,3	18,1		
550	kg	8,8	9,6	10,5	11,4	12,3	13,1	14,0	14,9	15,8	16,6	17,5	18,4	19,3		
600	kg	9,3	10,2	11,1	12,0	13,0	13,9	14,8	15,8	16,7	17,6	18,5	19,5	20,4		

CU-LT-L500 + MFUSP

Hn\Wn (mm)		200	250	300	350	400	450	500	550	600	650	700	750	800		
100	kg	4,4	4,9	5,4	5,9	6,4	6,9	7,4	7,9	8,3	8,8	9,3	9,8	10,3		
150	kg	5,0	5,5	6,1	6,6	7,2	7,7	8,3	8,8	9,4	10,0	10,5	11,1	11,6		
200	kg	5,6	6,2	6,8	7,4	8,0	8,6	9,2	9,8	10,5	11,1	11,7	12,3	12,9		
250	kg	6,2	6,9	7,5	8,2	8,9	9,5	10,2	10,8	11,5	12,2	12,8	13,5	14,2		
300	kg	6,8	7,5	8,2	9,0	9,7	10,4	11,1	11,8	12,6	13,3	14,0	14,7	15,4		
350	kg	7,4	8,2	9,0	9,7	10,5	11,3	12,1	12,8	13,6	14,4	15,2	15,9	16,7		
400	kg	8,0	8,9	9,7	10,5	11,3	12,2	13,0	13,8	14,7	15,5	16,3	17,2	18,0		
450	kg	8,6	9,5	10,4	11,3	12,2	13,1	14,0	14,8	15,7	16,6	17,5	18,4	19,3		
500	kg	9,2	10,2	11,1	12,1	13,0	14,0	14,9	15,8	16,8	17,7	18,7	19,6	20,5		
550	kg	9,8	10,8	11,8	12,8	13,8	14,8	15,8	16,8	17,8	18,8	19,8	20,8	21,8		
600	kg	10,5	11,5	12,6	13,6	14,7	15,7	16,8	17,8	18,9	19,9	21,0	22,0	23,1		

CU-LT-L500 + ONE

Hn\Wn (mm)		200	250	300	350	400	450	500	550	600	650	700	750	800		
100	kg	5,6	6,1	6,6	7,1	7,6	8,1	8,6	9,1	9,5	10,0	10,5	11,0	11,5		
150	kg	6,2	6,7	7,3	7,8	8,4	8,9	9,5	10,0	10,6	11,2	11,7	12,3	12,8		
200	kg	6,8	7,4	8,0	8,6	9,2	9,8	10,4	11,0	11,7	12,3	12,9	13,5	14,1		
250	kg	7,4	8,1	8,7	9,4	10,1	10,7	11,4	12,0	12,7	13,4	14,0	14,7	15,4		
300	kg	8,0	8,7	9,4	10,2	10,9	11,6	12,3	13,0	13,8	14,5	15,2	15,9	16,6		
350	kg	8,6	9,4	10,2	10,9	11,7	12,5	13,3	14,0	14,8	15,6	16,4	17,1	17,9		
400	kg	9,2	10,1	10,9	11,7	12,5	13,4	14,2	15,0	15,9	16,7	17,5	18,4	19,2		
450	kg	9,8	10,7	11,6	12,5	13,4	14,3	15,2	16,0	16,9	17,8	18,7	19,6	20,5		
500	kg	10,4	11,4	12,3	13,3	14,2	15,2	16,1	17,0	18,0	18,9	19,9	20,8	21,7		
550	kg	11,0	12,0	13,0	14,0	15,0	16,0	17,0	18,0	19,0	20,0	21,0	22,0	23,0		
600	kg	11,7	12,7	13,8	14,8	15,9	16,9	18,0	19,0	20,1	21,1	22,2	23,2	24,3		

Selection graphs

CU-LT-L500 + BFL

Hn\Wn [mm]		200	250	300	350	400	450	500	550	600	650	700	750	800		
100	kg	5,1	5,6	6,1	6,6	7,1	7,6	8,1	8,6	9,0	9,5	10,0	10,5	11,0		
150	kg	5,7	6,2	6,8	7,3	7,9	8,4	9,0	9,5	10,1	10,7	11,2	11,8	12,3		
200	kg	6,3	6,9	7,5	8,1	8,7	9,3	9,9	10,5	11,2	11,8	12,4	13,0	13,6		
250	kg	6,9	7,6	8,2	8,9	9,6	10,2	10,9	11,5	12,2	12,9	13,5	14,2	14,9		
300	kg	7,5	8,2	8,9	9,7	10,4	11,1	11,8	12,5	13,3	14,0	14,7	15,4	16,1		
350	kg	8,1	8,9	9,7	10,4	11,2	12,0	12,8	13,5	14,3	15,1	15,9	16,6	17,4		
400	kg	8,7	9,6	10,4	11,2	12,0	12,9	13,7	14,5	15,4	16,2	17,0	17,9	18,7		
450	kg	9,3	10,2	11,1	12,0	12,9	13,8	14,7	15,5	16,4	17,3	18,2	19,1	20,0		
500	kg	9,9	10,9	11,8	12,8	13,7	14,7	15,6	16,5	17,5	18,4	19,4	20,3	21,2		
550	kg	10,5	11,5	12,5	13,5	14,5	15,5	16,5	17,5	18,5	19,5	20,5	21,5	22,5		
600	kg	11,2	12,2	13,3	14,3	15,4	16,4	17,5	18,5	19,6	20,6	21,7	22,7	23,8		

CU-LT-L500 + BFLT

Hn\Wn [mm]		200	250	300	350	400	450	500	550	600	650	700	750	800		
100	kg	5,2	5,7	6,2	6,7	7,2	7,7	8,2	8,7	9,1	9,6	10,1	10,6	11,1		
150	kg	5,8	6,3	6,9	7,4	8,0	8,5	9,1	9,6	10,2	10,8	11,3	11,9	12,4		
200	kg	6,4	7,0	7,6	8,2	8,8	9,4	10,0	10,6	11,3	11,9	12,5	13,1	13,7		
250	kg	7,0	7,7	8,3	9,0	9,7	10,3	11,0	11,6	12,3	13,0	13,6	14,3	15,0		
300	kg	7,6	8,3	9,0	9,8	10,5	11,2	11,9	12,6	13,4	14,1	14,8	15,5	16,2		
350	kg	8,2	9,0	9,8	10,5	11,3	12,1	12,9	13,6	14,4	15,2	16,0	16,7	17,5		
400	kg	8,8	9,7	10,5	11,3	12,1	13,0	13,8	14,6	15,5	16,3	17,1	18,0	18,8		
450	kg	9,4	10,3	11,2	12,1	13,0	13,9	14,8	15,6	16,5	17,4	18,3	19,2	20,1		
500	kg	10,0	11,0	11,9	12,9	13,8	14,8	15,7	16,6	17,6	18,5	19,5	20,4	21,3		
550	kg	10,6	11,6	12,6	13,6	14,6	15,6	16,6	17,6	18,6	19,6	20,6	21,6	22,6		
600	kg	11,3	12,3	13,4	14,4	15,5	16,5	17,6	18,6	19,7	20,7	21,8	22,8	23,9		

Selection graphs

$$\Delta p [\text{Pa}] = \zeta \cdot v^2 \cdot 0,6$$

Hn\Wn [mm]		200	250	300	350	400	450	500	550	600	650	700	750	800		
100	ζ [-]	1,69	1,65	1,62	1,60	1,59	1,58	1,57	1,56	1,55	1,55	1,54	1,54	1,54		
150	ζ [-]	0,98	0,93	0,89	0,87	0,85	0,83	0,82	0,81	0,80	0,80	0,79	0,79	0,78		
200	ζ [-]	0,69	0,63	0,60	0,57	0,55	0,54	0,52	0,51	0,51	0,50	0,49	0,49	0,49		
250	ζ [-]	0,54	0,48	0,44	0,42	0,40	0,39	0,37	0,37	0,36	0,35	0,35	0,34	0,34		
300	ζ [-]	0,45	0,39	0,35	0,33	0,31	0,30	0,29	0,28	0,27	0,26	0,26	0,26	0,25		
350	ζ [-]	0,39	0,33	0,30	0,27	0,25	0,24	0,23	0,22	0,22	0,21	0,21	0,20	0,20		
400	ζ [-]	0,34	0,29	0,26	0,23	0,22	0,20	0,19	0,18	0,18	0,17	0,17	0,16	0,16		
450	ζ [-]	0,31	0,26	0,23	0,20	0,19	0,17	0,16	0,16	0,15	0,15	0,14	0,14	0,13		
500	ζ [-]	0,29	0,24	0,20	0,18	0,17	0,15	0,14	0,14	0,13	0,13	0,12	0,12	0,12		
550	ζ [-]	0,27	0,22	0,19	0,16	0,15	0,14	0,13	0,12	0,12	0,11	0,11	0,10	0,10		
600	ζ [-]	0,25	0,20	0,17	0,15	0,14	0,12	0,12	0,11	0,10	0,10	0,10	0,09	0,09		

Example

Data

Hn = 350 mm, Bn = 400 mm , v = 5 m/s

Calculation

$\Delta p = 0.25 * (5 \text{ m/s})^2 * 0.6 = 3.75 \text{ Pa}$

CU-LT and CU-LT L500 - A-weighted sound power level Lwa in the room

Hn\Wn [mm]	200	250	300	350	400	450	500	550	600	650	700	750	800		
100	Sn [m ²]	0,0099	0,0127	0,0154	0,0182	0,0209	0,0237	0,0264	0,0292	0,0319	0,0347	0,0374	0,0402	0,0429	
	Sn [%]	54,29	55,15	55,72	56,13	56,43	56,67	56,85	57,00	57,13	57,24	57,33	57,41	57,48	
	Q [m ³ /h]	690,00	860,00	1.030,00	1.200,00	1.360,00	1.530,00	1.700,00	1.870,00	2.030,00	2.200,00	2.370,00	2.540,00	2.700,00	45 dB
	Δp [Pa]	93,34	90,41	88,50	87,16	84,91	84,29	83,80	83,41	82,26	82,05	81,86	81,70	80,97	
	Q [m ³ /h]	560,00	700,00	840,00	970,00	1.110,00	1.250,00	1.380,00	1.520,00	1.650,00	1.790,00	1.930,00	2.060,00	2.200,00	40 dB
	Δp [Pa]	61,48	59,90	58,86	56,95	56,56	56,26	55,22	55,11	54,35	54,32	54,29	53,74	53,75	
	Q [m ³ /h]	460,00	570,00	680,00	790,00	900,00	1.010,00	1.120,00	1.230,00	1.350,00	1.460,00	1.570,00	1.680,00	1.790,00	35 dB
	Δp [Pa]	41,49	39,71	38,57	37,77	37,19	36,73	36,38	36,08	36,38	36,13	35,92	35,74	35,59	
	Q [m ³ /h]	370,00	460,00	550,00	640,00	730,00	820,00	910,00	1.000,00	1.090,00	1.180,00	1.270,00	1.360,00	1.450,00	30 dB
	Δp [Pa]	26,84	25,87	25,23	24,79	24,46	24,21	24,01	23,85	23,72	23,60	23,51	23,42	23,35	
	Q [m ³ /h]	310,00	380,00	450,00	520,00	600,00	670,00	740,00	820,00	890,00	960,00	1.040,00	1.110,00	1.180,00	25 dB
	Δp [Pa]	18,84	17,65	16,89	16,37	16,53	16,16	15,88	16,04	15,81	15,62	15,76	15,60	15,46	
150	Sn [m ²]	0,0189	0,0242	0,0294	0,0347	0,0399	0,0452	0,0504	0,0557	0,0609	0,0662	0,0714	0,0767	0,0819	
	Sn [%]	67,65	68,73	69,44	69,95	70,33	70,62	70,85	71,04	71,20	71,33	71,45	71,54	71,63	
	Q [m ³ /h]	940,00	1.170,00	1.390,00	1.610,00	1.840,00	2.060,00	2.290,00	2.510,00	2.730,00	2.960,00	3.180,00	3.410,00	3.630,00	45 dB
	Δp [Pa]	44,54	41,91	39,31	37,88	37,01	35,79	35,39	34,71	34,08	34,14	33,55	33,60	33,04	
	Q [m ³ /h]	770,00	950,00	1.130,00	1.310,00	1.490,00	1.680,00	1.860,00	2.040,00	2.220,00	2.400,00	2.590,00	2.770,00	2.950,00	40 dB
	Δp [Pa]	30,00	27,56	26,02	24,96	24,18	23,87	23,37	22,97	22,64	22,36	22,30	22,08	21,90	
	Q [m ³ /h]	620,00	770,00	920,00	1.070,00	1.220,00	1.360,00	1.510,00	1.660,00	1.810,00	1.960,00	2.100,00	2.250,00	2.400,00	35 dB
	Δp [Pa]	19,45	18,11	17,25	16,65	16,21	15,64	15,40	15,21	15,05	14,91	14,66	14,57	14,49	
	Q [m ³ /h]	510,00	630,00	750,00	870,00	990,00	1.110,00	1.230,00	1.350,00	1.470,00	1.590,00	1.710,00	1.830,00	1.950,00	30 dB
	Δp [Pa]	13,16	12,12	11,46	11,01	10,67	10,42	10,22	10,06	9,93	9,81	9,72	9,64	9,57	
	Q [m ³ /h]	410,00	510,00	610,00	710,00	810,00	900,00	1.000,00	1.100,00	1.200,00	1.290,00	1.390,00	1.490,00	1.590,00	25 dB
	Δp [Pa]	8,51	7,94	7,58	7,33	7,15	6,85	6,76	6,68	6,61	6,46	6,42	6,39	6,36	
200	Sn [m ²]	0,0279	0,0357	0,0434	0,0512	0,0589	0,0667	0,0744	0,0822	0,0899	0,0977	0,1054	0,1132	0,1209	
	Sn [%]	74,13	75,31	76,09	76,65	77,06	77,38	77,63	77,84	78,01	78,16	78,29	78,39	78,49	
	Q [m ³ /h]	1.190,00	1.470,00	1.750,00	2.030,00	2.310,00	2.590,00	2.860,00	3.140,00	3.420,00	3.700,00	3.980,00	4.260,00	4.530,00	45 dB
	Δp [Pa]	28,38	25,37	23,49	22,20	21,26	20,55	19,85	19,42	19,06	18,77	18,51	18,29	18,02	
	Q [m ³ /h]	970,00	1.200,00	1.420,00	1.650,00	1.880,00	2.100,00	2.330,00	2.550,00	2.780,00	3.010,00	3.230,00	3.460,00	3.690,00	40 dB
	Δp [Pa]	18,85	16,91	15,46	14,67	14,08	13,51	13,18	12,81	12,60	12,42	12,19	12,07	11,96	
	Q [m ³ /h]	790,00	970,00	1.160,00	1.340,00	1.530,00	1.710,00	1.890,00	2.080,00	2.260,00	2.450,00	2.630,00	2.810,00	3.000,00	35 dB
	Δp [Pa]	12,51	11,05	10,32	9,67	9,33	8,96	8,67	8,52	8,32	8,23	8,08	7,96	7,90	
	Q [m ³ /h]	640,00	790,00	940,00	1.090,00	1.240,00	1.390,00	1.540,00	1.690,00	1.840,00	1.990,00	2.140,00	2.290,00	2.440,00	30 dB
	Δp [Pa]	8,21	7,33	6,78	6,40	6,13	5,92	5,76	5,63	5,52	5,43	5,35	5,29	5,23	
	Q [m ³ /h]	520,00	640,00	770,00	890,00	1.010,00	1.130,00	1.250,00	1.370,00	1.500,00	1.620,00	1.740,00	1.860,00	1.980,00	25 dB
	Δp [Pa]	5,42	4,81	4,55	4,27	4,06	3,91	3,79	3,70	3,67	3,60	3,54	3,49	3,44	

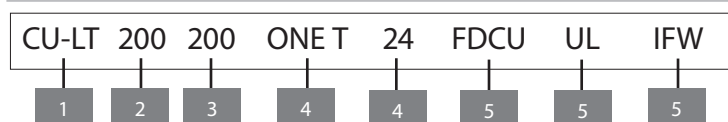
Hn\Wn [mm]	200	250	300	350	400	450	500	550	600	650	700	750	800		
250	Sn [m ²]	0,0369	0,0472	0,0574	0,0677	0,0779	0,0882	0,0984	0,1087	0,1189	0,1292	0,1394	0,1497	0,1599	
	Sn [%]	77,95	79,20	80,02	80,60	81,03	81,37	81,64	81,85	82,04	82,19	82,32	82,44	82,53	
	Q [m ³ /h]	1.440,00	1.770,00	2.100,00	2.440,00	2.770,00	3.100,00	3.430,00	3.760,00	4.090,00	4.420,00	4.750,00	5.090,00	5.420,00	45 dB
	Δp [Pa]	20,74	17,89	16,14	15,08	14,21	13,56	13,05	12,64	12,31	12,03	11,80	11,64	11,46	
	Q [m ³ /h]	1.170,00	1.440,00	1.710,00	1.980,00	2.250,00	2.520,00	2.790,00	3.060,00	3.330,00	3.600,00	3.870,00	4.130,00	4.400,00	40 dB
	Δp [Pa]	13,69	11,84	10,70	9,93	9,38	8,96	8,63	8,37	8,16	7,98	7,83	7,66	7,55	
	Q [m ³ /h]	950,00	1.170,00	1.390,00	1.610,00	1.830,00	2.050,00	2.270,00	2.490,00	2.710,00	2.920,00	3.140,00	3.360,00	3.580,00	35 dB
	Δp [Pa]	9,03	7,82	7,07	6,57	6,20	5,93	5,71	5,54	5,40	5,25	5,15	5,07	5,00	
	Q [m ³ /h]	780,00	950,00	1.130,00	1.310,00	1.490,00	1.670,00	1.840,00	2.020,00	2.200,00	2.380,00	2.560,00	2.730,00	2.910,00	30 dB
	Δp [Pa]	6,08	5,15	4,67	4,35	4,11	3,93	3,75	3,65	3,56	3,49	3,43	3,35	3,30	
	Q [m ³ /h]	630,00	780,00	920,00	1.070,00	1.210,00	1.360,00	1.500,00	1.640,00	1.790,00	1.930,00	2.080,00	2.220,00	2.370,00	25 dB
	Δp [Pa]	3,97	3,47	3,10	2,90	2,71	2,61	2,50	2,40	2,36	2,29	2,26	2,21	2,19	
300	Sn [m ²]	0,0459	0,0587	0,0714	0,0842	0,0969	0,1097	0,1224	0,1352	0,1479	0,1607	0,1734	0,1862	0,1989	
	Sn [%]	80,48	81,76	82,60	83,20	83,65	84,00	84,28	84,50	84,69	84,85	84,99	85,10	85,21	
	Q [m ³ /h]	1.533,00	1.954,00	2.377,00	2.802,00	3.227,00	3.653,00	4.080,00	4.507,00	4.934,00	5.361,00	5.788,00	6.216,00	6.644,00	45 dB
	Δp [Pa]	13,50	12,30	11,50	10,90	10,40	10,10	9,80	9,60	9,40	9,30	9,10	9,00	8,90	
	Q [m ³ /h]	1.267,00	1.616,00	1.966,00	2.317,00	2.668,00	3.020,00	3.373,00	3.726,00	4.079,00	4.432,00	4.786,00	5.139,00	5.493,00	40 dB
	Δp [Pa]	9,30	8,40	7,80	7,40	7,10	6,90	6,70	6,60	6,40	6,30	6,20	6,20	6,10	
	Q [m ³ /h]	1.048,00	1.336,00	1.625,00	1.915,00	2.206,00	2.497,00	2.789,00	3.080,00	3.372,00	3.664,00	3.956,00	4.249,00	4.541,00	35 dB
	Δp [Pa]	6,30	5,70	5,40	5,10	4,90	4,70	4,60	4,50	4,40	4,30	4,30	4,20	4,20	
	Q [m ³ /h]	866,00	1.104,00	1.343,00	1.583,00	1.824,00	2.065,00	2.305,00	2.547,00	2.788,00	3.029,00	3.271,00	3.513,00	3.754,00	30 dB
	Δp [Pa]	4,30	3,90	3,70	3,50	3,30	3,20	3,10	3,10	3,00	3,00	2,90	2,90	2,90	
	Q [m ³ /h]	716,00	913,00	1.111,00	1.309,00	1.508,00	1.707,00	1.906,00	2.105,00	2.305,00	2.505,00	2.704,00	2.904,00	3.104,00	25 dB
	Δp [Pa]	3,00	2,70	2,50	2,40	2,30	2,20	2,10	2,10	2,10	2,00	2,00	2,00	1,90	
350	Sn [m ²]	0,0549	0,0702	0,0854	0,1007	0,1159	0,1312	0,1464	0,1617	0,1769	0,1922	0,2074	0,2227	0,2379	
	Sn [%]	82,26	83,58	84,44	85,05	85,51	85,87	86,15	86,38	86,57	86,74	86,87	86,99	87,10	
	Q [m ³ /h]	1.826,00	2.334,00	2.844,00	3.356,00	3.870,00	4.384,00	4.900,00	5.416,00	5.932,00	6.449,00	6.966,00	7.484,00	8.001,00	45 dB
	Δp [Pa]	12,20	10,90	10,00	9,40	9,00	8,70	8,40	8,20	8,00	7,80	7,70	7,60	7,50	
	Q [m ³ /h]	1.510,00	1.929,00	2.351,00	2.775,00	3.199,00	3.625,00	4.051,00	4.478,00	4.905,00	5.332,00	5.759,00	6.187,00	6.615,00	40 dB
	Δp [Pa]	8,30	7,50	6,90	6,50	6,20	5,90	5,70	5,60	5,40	5,30	5,20	5,20	5,10	
	Q [m ³ /h]	1.248,00	1.595,00	1.944,00	2.294,00	2.645,00	2.997,00	3.349,00	3.702,00	4.055,00	4.408,00	4.762,00	5.115,00	5.469,00	35 dB
	Δp [Pa]	5,70	5,10	4,70	4,40	4,20	4,00	3,90	3,80	3,70	3,70	3,60	3,50	3,50	
	Q [m ³ /h]	1.032,00	1.319,00	1.607,00	1.897,00	2.187,00	2.478,00	2.769,00	3.061,00	3.352,00	3.644,00	3.937,00	4.229,00	4.521,00	30 dB
	Δp [Pa]	3,90	3,50	3,20	3,00	2,90	2,80	2,70	2,60	2,50	2,50	2,50	2,40	2,40	
	Q [m ³ /h]	853,00	1.090,00	1.329,00	1.568,00	1.808,00	2.048,00	2.289,00	2.530,00	2.772,00	3.013,00	3.255,00	3.496,00	3.738,00	25 dB
	Δp [Pa]	2,70	2,40	2,20	2,10	2,00	1,90	1,80	1,80	1,70	1,70	1,70	1,70	1,60	

Hn\Wn [mm]	200	250	300	350	400	450	500	550	600	650	700	750	800			
400	Sn [m ²]	0,0639	0,0817	0,0994	0,1172	0,1349	0,1527	0,1704	0,1882	0,2059	0,2237	0,2414	0,2592	0,2769	45 dB	
	Sn [%]	83,60	84,93	85,81	86,43	86,90	87,26	87,55	87,78	87,98	88,14	88,28	88,41	88,51		
	Q [m ³ /h]	2.122,00	2.717,00	3.316,00	3.918,00	4.522,00	5.127,00	5.734,00	6.341,00	6.950,00	7.558,00	8.168,00	8.777,00	9.387,00		
	Δp [Pa]	11,20	9,90	9,00	8,40	8,00	7,60	7,30	7,10	6,90	6,80	6,60	6,50	6,40		
	Q [m ³ /h]	1.754,00	2.246,00	2.741,00	3.239,00	3.738,00	4.239,00	4.740,00	5.243,00	5.746,00	6.249,00	6.753,00	7.256,00	7.761,00		40 dB
	Δp [Pa]	7,70	6,80	6,20	5,70	5,40	5,20	5,00	4,90	4,70	4,60	4,50	4,40	4,40		
	Q [m ³ /h]	1.450,00	1.857,00	2.266,00	2.678,00	3.091,00	3.505,00	3.919,00	4.334,00	4.750,00	5.166,00	5.583,00	5.999,00	6.416,00		35 dB
	Δp [Pa]	5,20	4,60	4,20	3,90	3,70	3,60	3,40	3,30	3,20	3,20	3,10	3,00	3,00		
	Q [m ³ /h]	1.199,00	1.535,00	1.874,00	2.214,00	2.555,00	2.897,00	3.240,00	3.583,00	3.927,00	4.271,00	4.615,00	4.960,00	5.305,00		30 dB
	Δp [Pa]	3,60	3,20	2,90	2,70	2,50	2,40	2,30	2,30	2,20	2,20	2,10	2,10	2,00		
Q [m ³ /h]	991,00	1.269,00	1.549,00	1.830,00	2.113,00	2.395,00	2.679,00	2.963,00	3.247,00	3.531,00	3.816,00	4.101,00	4.386,00	25 dB		
Δp [Pa]	2,40	2,20	2,00	1,80	1,70	1,70	1,60	1,50	1,50	1,50	1,40	1,40	1,40			
450	Sn [m ²]	0,0729	0,0932	0,1134	0,1337	0,1539	0,1742	0,1944	0,2147	0,2349	0,2552	0,2754	0,2957	0,3159	45 dB	
	Sn [%]	84,63	85,98	86,87	87,50	87,98	88,34	88,63	88,87	89,07	89,23	89,38	89,50	89,61		
	Q [m ³ /h]	2.420,00	3.103,00	3.792,00	4.485,00	5.181,00	5.880,00	6.579,00	7.280,00	7.982,00	8.685,00	9.389,00	10.093,00	10.797,00		
	Δp [Pa]	10,50	9,10	8,20	7,60	7,20	6,80	6,50	6,30	6,10	6,00	5,80	5,70	5,60		
	Q [m ³ /h]	2.000,00	2.565,00	3.135,00	3.708,00	4.284,00	4.861,00	5.439,00	6.019,00	6.599,00	7.180,00	7.762,00	8.344,00	8.926,00		40 dB
	Δp [Pa]	7,10	6,20	5,60	5,20	4,90	4,70	4,50	4,30	4,20	4,10	4,00	3,90	3,80		
	Q [m ³ /h]	1.654,00	2.121,00	2.592,00	3.066,00	3.542,00	4.019,00	4.497,00	4.976,00	5.456,00	5.936,00	6.417,00	6.898,00	7.380,00		35 dB
	Δp [Pa]	4,90	4,30	3,80	3,60	3,30	3,20	3,00	2,90	2,90	2,80	2,70	2,70	2,60		
	Q [m ³ /h]	1.367,00	1.753,00	2.143,00	2.535,00	2.928,00	3.322,00	3.718,00	4.114,00	4.511,00	4.908,00	5.305,00	5.703,00	6.101,00		30 dB
	Δp [Pa]	3,30	2,90	2,60	2,40	2,30	2,20	2,10	2,00	2,00	1,90	1,90	1,80	1,80		
Q [m ³ /h]	1.130,00	1.450,00	1.772,00	2.095,00	2.421,00	2.747,00	3.074,00	3.401,00	3.729,00	4.058,00	4.386,00	4.715,00	5.044,00	25 dB		
Δp [Pa]	2,30	2,00	1,80	1,70	1,60	1,50	1,40	1,40	1,30	1,30	1,30	1,20	1,20			
500	Sn [m ²]	0,0819	0,1047	0,1274	0,1502	0,1729	0,1957	0,2184	0,2412	0,2639	0,2867	0,3094	0,3322	0,3549	45 dB	
	Sn [%]	85,46	86,82	87,72	88,36	88,83	89,20	89,49	89,73	89,93	90,10	90,25	90,37	90,48		
	Q [m ³ /h]	2.718,00	3.491,00	4.272,00	5.058,00	5.847,00	6.640,00	7.434,00	8.231,00	9.028,00	9.827,00	10.627,00	11.427,00	12.228,00		
	Δp [Pa]	9,90	8,50	7,60	7,00	6,50	6,20	5,90	5,70	5,50	5,30	5,20	5,10	5,00		
	Q [m ³ /h]	2.247,00	2.886,00	3.532,00	4.181,00	4.834,00	5.489,00	6.146,00	6.805,00	7.464,00	8.124,00	8.786,00	9.447,00	10.109,00		40 dB
	Δp [Pa]	6,70	5,80	5,20	4,80	4,50	4,20	4,00	3,90	3,80	3,60	3,60	3,50	3,40		
	Q [m ³ /h]	1.858,00	2.386,00	2.920,00	3.457,00	3.997,00	4.538,00	5.082,00	5.626,00	6.171,00	6.717,00	7.263,00	7.811,00	8.358,00		35 dB
	Δp [Pa]	4,60	4,00	3,60	3,30	3,10	2,90	2,80	2,70	2,60	2,50	2,40	2,40	2,30		
	Q [m ³ /h]	1.536,00	1.973,00	2.414,00	2.858,00	3.304,00	3.752,00	4.201,00	4.651,00	5.102,00	5.553,00	6.005,00	6.457,00	6.910,00		30 dB
	Δp [Pa]	3,10	2,70	2,40	2,20	2,10	2,00	1,90	1,80	1,80	1,70	1,70	1,60	1,60		
Q [m ³ /h]	1.270,00	1.631,00	1.996,00	2.363,00	2.732,00	3.102,00	3.473,00	3.845,00	4.218,00	4.591,00	4.965,00	5.339,00	5.713,00	25 dB		
Δp [Pa]	2,20	1,90	1,70	1,50	1,40	1,30	1,30	1,20	1,20	1,20	1,10	1,10	1,10			

Hn\Wn [mm]	200	250	300	350	400	450	500	550	600	650	700	750	800		
550	Sn [m ²]	0,0909	0,1162	0,1414	0,1667	0,1919	0,2172	0,2424	0,2677	0,2929	0,3182	0,3434	0,3687	0,3939	45 dB
	Sn [%]	86,13	87,50	88,41	89,05	89,53	89,90	90,20	90,44	90,64	90,81	90,96	91,08	91,19	
	Q [m ³ /h]	3.018,00	3.882,00	4.755,00	5.634,00	6.519,00	7.407,00	8.298,00	9.191,00	10.086,00	10.982,00	11.879,00	12.778,00	13.677,00	
	Δp [Pa]	9,40	8,00	7,10	6,50	6,00	5,70	5,40	5,20	5,00	4,80	4,70	4,60	4,50	40 dB
	Q [m ³ /h]	2.495,00	3.209,00	3.931,00	4.658,00	5.389,00	6.123,00	6.860,00	7.598,00	8.338,00	9.079,00	9.821,00	10.564,00	11.307,00	
	Δp [Pa]	6,40	5,50	4,90	4,40	4,10	3,90	3,70	3,50	3,40	3,30	3,20	3,10	3,10	
	Q [m ³ /h]	2.063,00	2.653,00	3.250,00	3.851,00	4.456,00	5.063,00	5.672,00	6.282,00	6.894,00	7.506,00	8.120,00	8.734,00	9.348,00	35 dB
	Δp [Pa]	4,40	3,70	3,30	3,00	2,80	2,70	2,50	2,40	2,30	2,30	2,20	2,10	2,10	
	Q [m ³ /h]	1.706,00	2.194,00	2.687,00	3.184,00	3.684,00	4.186,00	4.689,00	5.194,00	5.699,00	6.206,00	6.713,00	7.221,00	7.729,00	
	Δp [Pa]	3,00	2,60	2,30	2,10	1,90	1,80	1,70	1,70	1,60	1,50	1,50	1,50	1,40	30 dB
	Q [m ³ /h]	1.410,00	1.813,00	2.221,00	2.632,00	3.045,00	3.460,00	3.877,00	4.294,00	4.712,00	5.131,00	5.550,00	5.970,00	6.390,00	
	Δp [Pa]	2,00	1,70	1,60	1,40	1,30	1,20	1,20	1,10	1,10	1,10	1,00	1,00	1,00	
600	Sn [m ²]	0,0999	0,1277	0,1554	0,1832	0,2109	0,2387	0,2664	0,2942	0,3219	0,3497	0,3774	0,4052	0,4329	45 dB
	Sn [%]	86,69	88,07	88,99	89,63	90,11	90,49	90,79	91,03	91,23	91,40	91,55	91,68	91,79	
	Q [m ³ /h]	3.319,00	4.274,00	5.240,00	6.214,00	7.194,00	8.179,00	9.168,00	10.159,00	11.153,00	12.148,00	13.145,00	14.143,00	15.142,00	
	Δp [Pa]	9,00	7,60	6,70	6,10	5,60	5,30	5,00	4,80	4,60	4,40	4,30	4,20	4,10	40 dB
	Q [m ³ /h]	2.744,00	3.533,00	4.332,00	5.137,00	5.948,00	6.762,00	7.580,00	8.399,00	9.220,00	10.043,00	10.867,00	11.693,00	12.519,00	
	Δp [Pa]	6,10	5,20	4,60	4,20	3,80	3,60	3,40	3,30	3,10	3,00	2,90	2,90	2,80	
	Q [m ³ /h]	2.269,00	2.921,00	3.581,00	4.247,00	4.918,00	5.591,00	6.266,00	6.944,00	7.623,00	8.303,00	8.985,00	9.667,00	10.350,00	35 dB
	Δp [Pa]	4,20	3,50	3,10	2,80	2,60	2,50	2,30	2,20	2,10	2,10	2,00	2,00	1,90	
	Q [m ³ /h]	1.876,00	2.415,00	2.961,00	3.512,00	4.066,00	4.622,00	5.181,00	5.741,00	6.302,00	6.865,00	7.428,00	7.992,00	8.557,00	
	Δp [Pa]	2,90	2,40	2,10	1,90	1,80	1,70	1,60	1,50	1,50	1,40	1,40	1,30	1,30	30 dB
	Q [m ³ /h]	1.551,00	1.997,00	2.448,00	2.903,00	3.361,00	3.821,00	4.283,00	4.746,00	5.210,00	5.675,00	6.141,00	6.607,00	7.074,00	
	Δp [Pa]	2,00	1,70	1,50	1,30	1,20	1,20	1,10	1,00	1,00	1,00	0,90	0,90	0,90	
	Q [m ³ /h]	1.251,00	1.613,00	2.000,00	2.400,00	2.810,00	3.230,00	3.660,00	4.100,00	4.550,00	5.010,00	5.480,00	5.960,00	6.450,00	25 dB
	Δp [Pa]	1,50	1,30	1,20	1,10	1,00	1,00	0,90	0,90	0,90	0,80	0,80	0,80		
	Q [m ³ /h]	1.000,00	1.300,00	1.650,00	2.050,00	2.500,00	2.950,00	3.400,00	3.850,00	4.300,00	4.750,00	5.200,00	5.650,00	6.100,00	

Every air flow lower than the above mentioned maximum value, will meet the listed A-weighted sound power level for the respective dimension. More information on sound power can be found in the product information on our website (documents).

Sample order



1. product
2. width
3. height
4. mechanism type
5. option: type voltage
6. option: uni/bipolar switches
7. option: inspection shutter
8. option: installation kit for flexible wall IFW

Approvals and certificates

All our dampers are submitted to a number of tests by official test institutes. Reports of these tests form the basis for the approvals of our dampers.



BCCA-0749-CPR-BC1-606-0464-15650.05-0464



NF 537
CLAPETS RÉSISTANT AU FEU
VOLETS RÉSISTANT AU FEU
www.marque-nf.com

18.19



SC0644-15



26812



W-336769-20-Zd



2822-UKCA-CPR-0060

The NF-label guarantees: conformity with the standard NF S 61-937 Parts 1 and 5: "Systèmes de Sécurité Incendie Dispositifs Actionnés de Sécurité"; conformity with the national decree of March 22, 2004, changed on 14 March 2011 for the classification of fire resistance; the values of the characteristics mentioned in this document. Organisme Certificateur: AFNOR Certification, 11 Rue Francis de Pressensé, F93571 La Plaine Saint-Denis Cedex; Website: <http://www.afnor.org> <http://www.marque-nf.com>; Phone: +33 (0)1.41.62.80.00, Fax: +33 (0)1.49.17.90.00, Email: certification@afnor.org